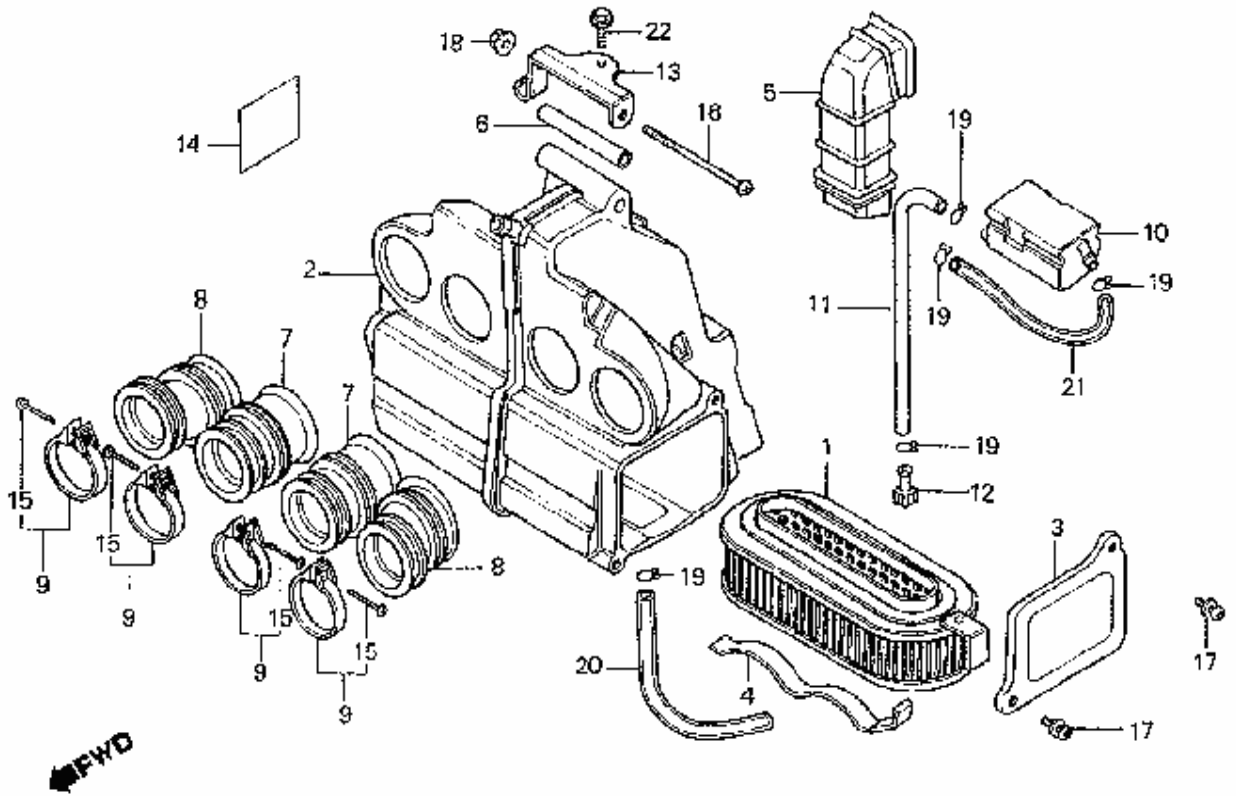
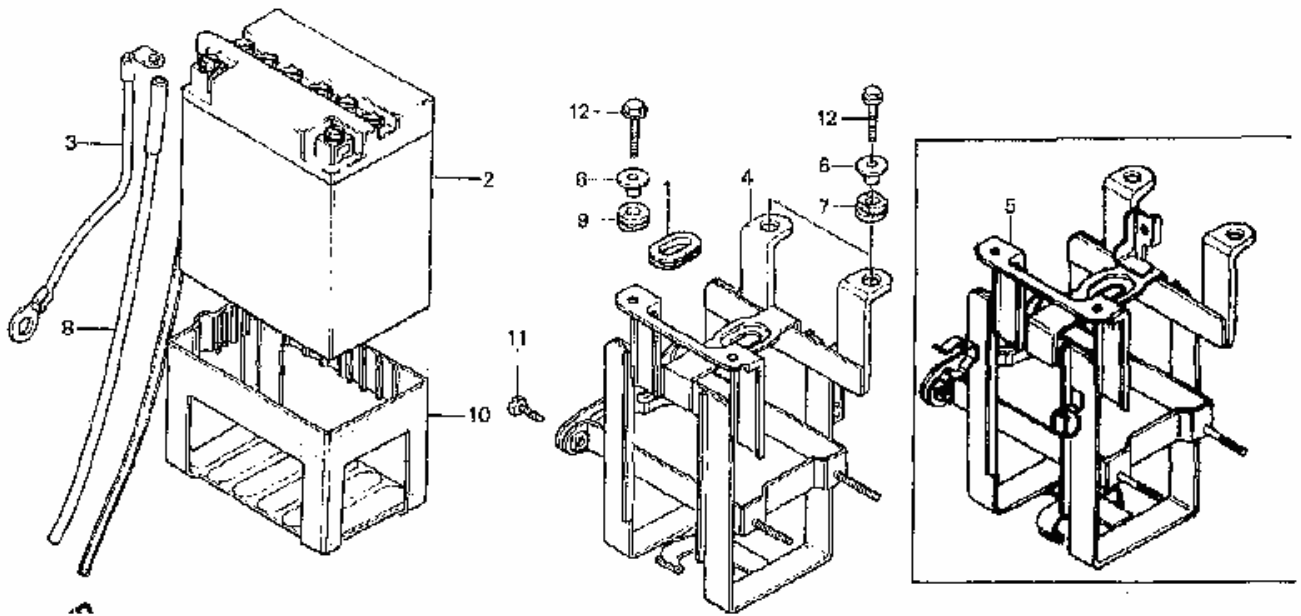


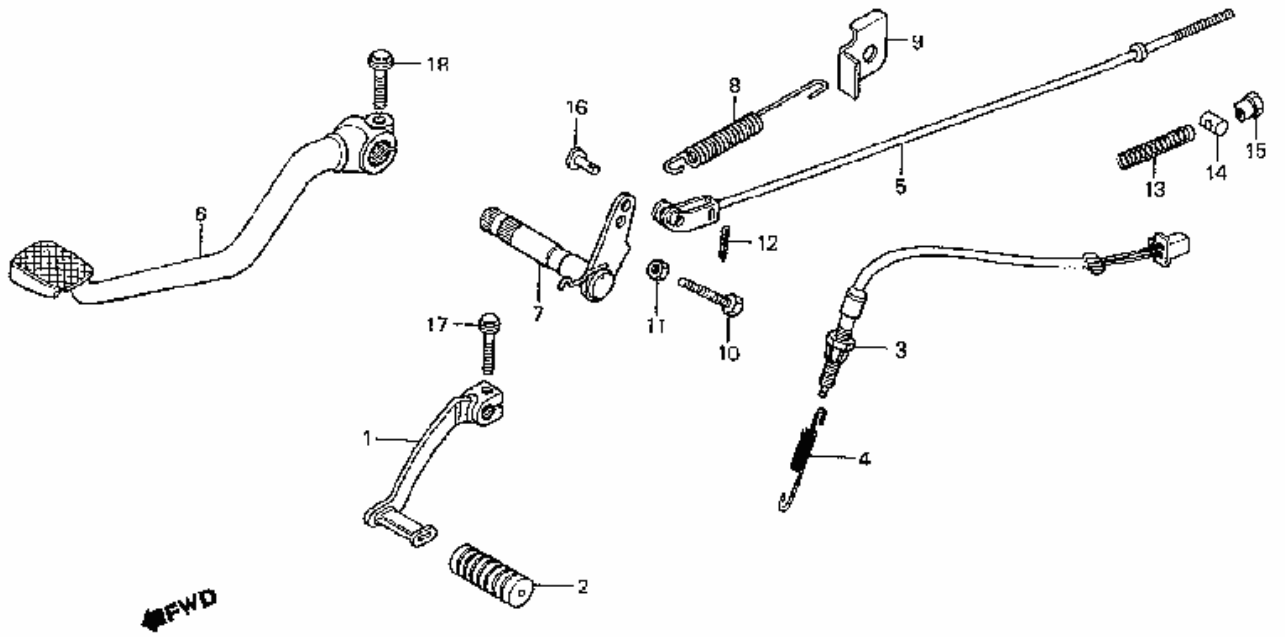
<b>Model Year:</b>	1980
<b>Manufacturer:</b>	Honda
<b>Model:</b>	CB750K
<b>Schematic:</b>	AIR CLEANER
<b>Description:</b>	1980 Honda CB750K AIR CLEANER



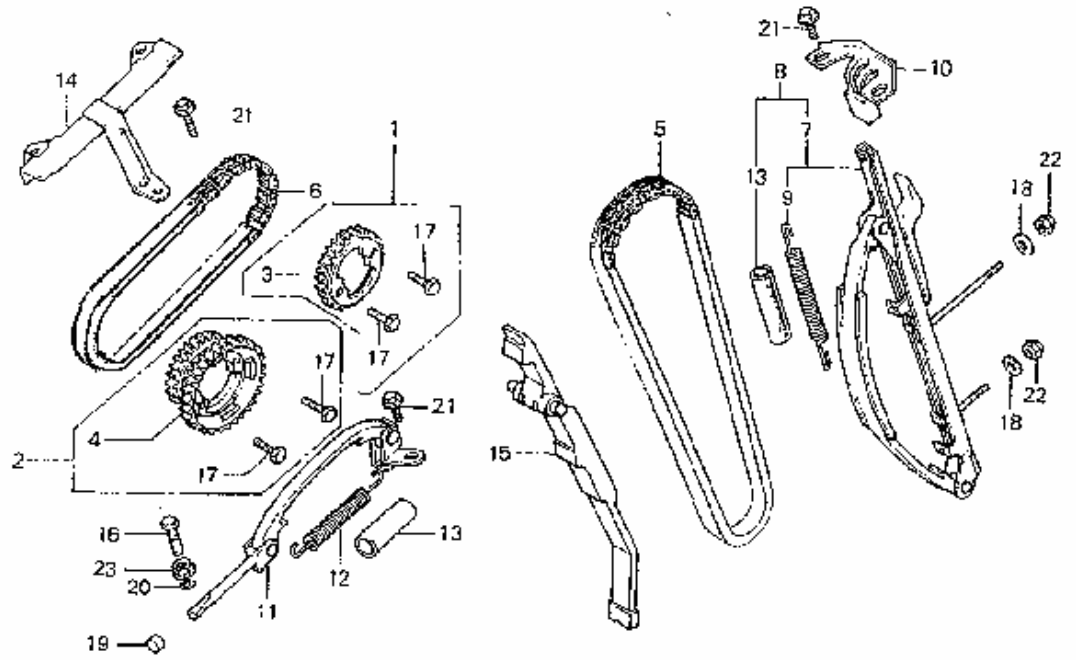
<b>Model Year:</b>	1980
<b>Manufacturer:</b>	Honda
<b>Model:</b>	CB750K
<b>Schematic:</b>	BATTERY
<b>Description:</b>	1980 Honda CB750K BATTERY



<b>Model Year:</b>	1980
<b>Manufacturer:</b>	Honda
<b>Model:</b>	CB750K
<b>Schematic:</b>	BRAKE PEDAL - CHANGE PEDAL
<b>Description:</b>	1980 Honda CB750K BRAKE PEDAL CHANGE PEDAL

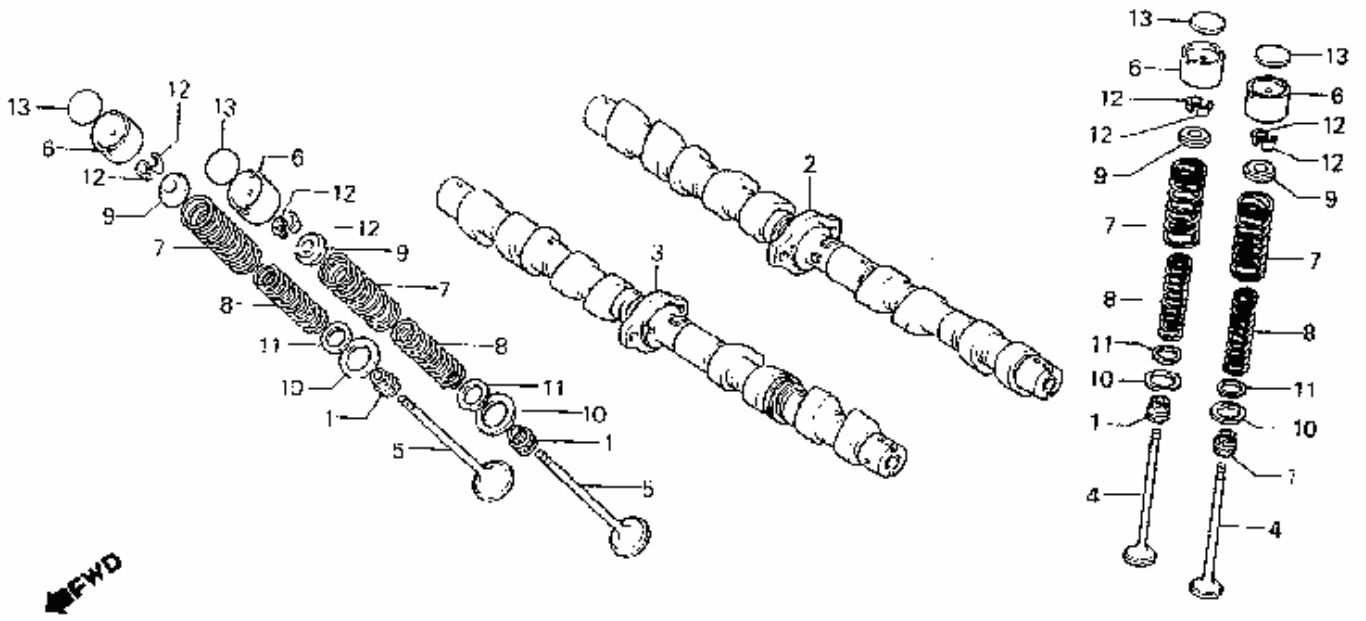


<b>Model Year:</b>	1980
<b>Manufacturer:</b>	Honda
<b>Model:</b>	CB750K
<b>Schematic:</b>	CAM CHAIN - TENSIONER
<b>Description:</b>	1980 Honda CB750K CAM CHAIN TENSIONER

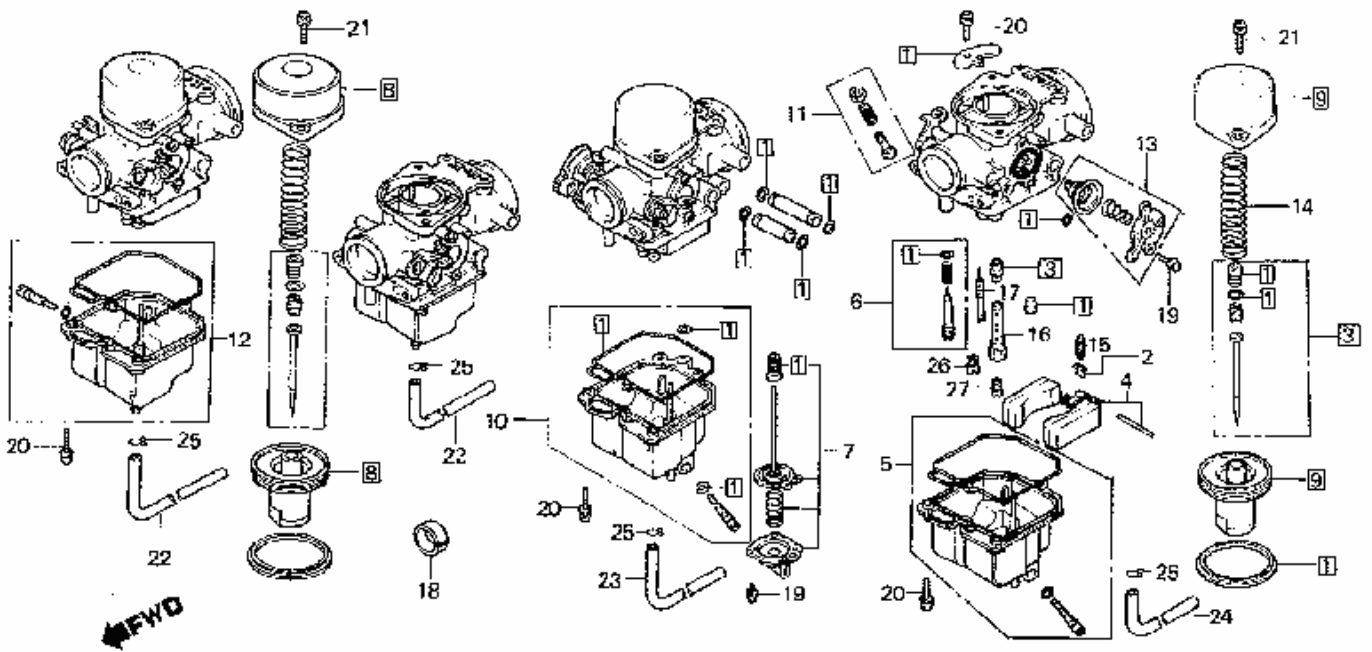


FWD

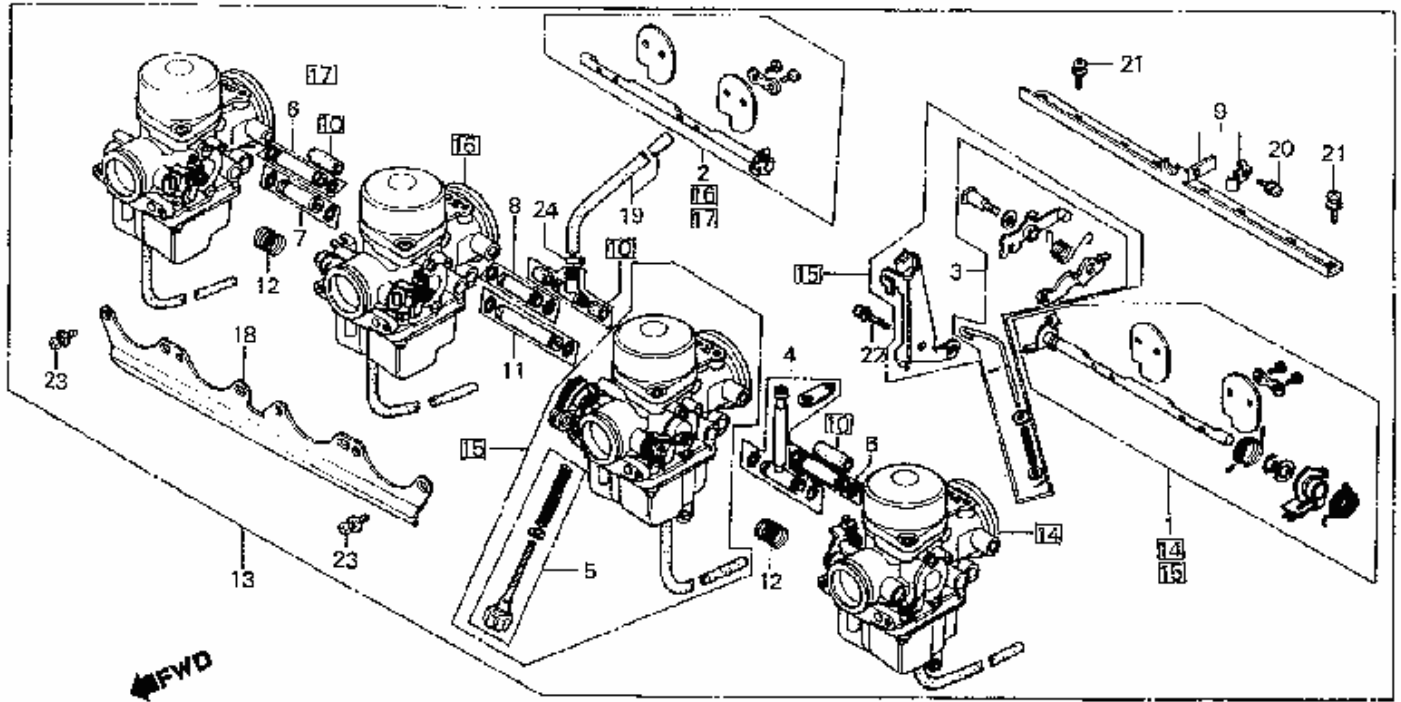
<b>Model Year:</b>	1980
<b>Manufacturer:</b>	Honda
<b>Model:</b>	CB750K
<b>Schematic:</b>	CAMSHAFT - VALVE
<b>Description:</b>	1980 Honda CB750K CAMSHAFT VALVE



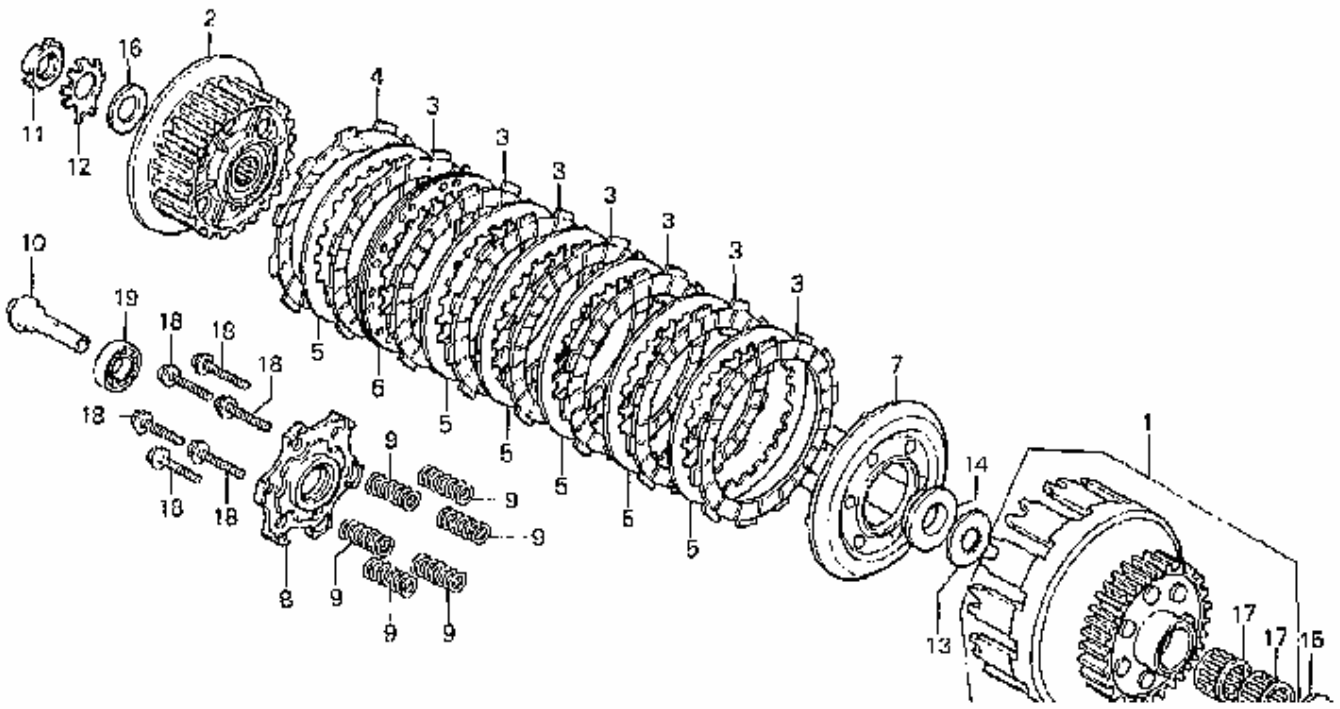
<b>Model Year:</b>	1980
<b>Manufacturer:</b>	Honda
<b>Model:</b>	CB750K
<b>Schematic:</b>	CARBURETOR (COMPONENT PARTS)
<b>Description:</b>	1980 Honda CB750K CARBURETOR (COMPONENT PARTS)



<b>Model Year:</b>	1980
<b>Manufacturer:</b>	Honda
<b>Model:</b>	CB750K
<b>Schematic:</b>	CARBURETOR ASSY (LINK)
<b>Description:</b>	1980 Honda CB750K CARBURETOR (ASSY., LINK)

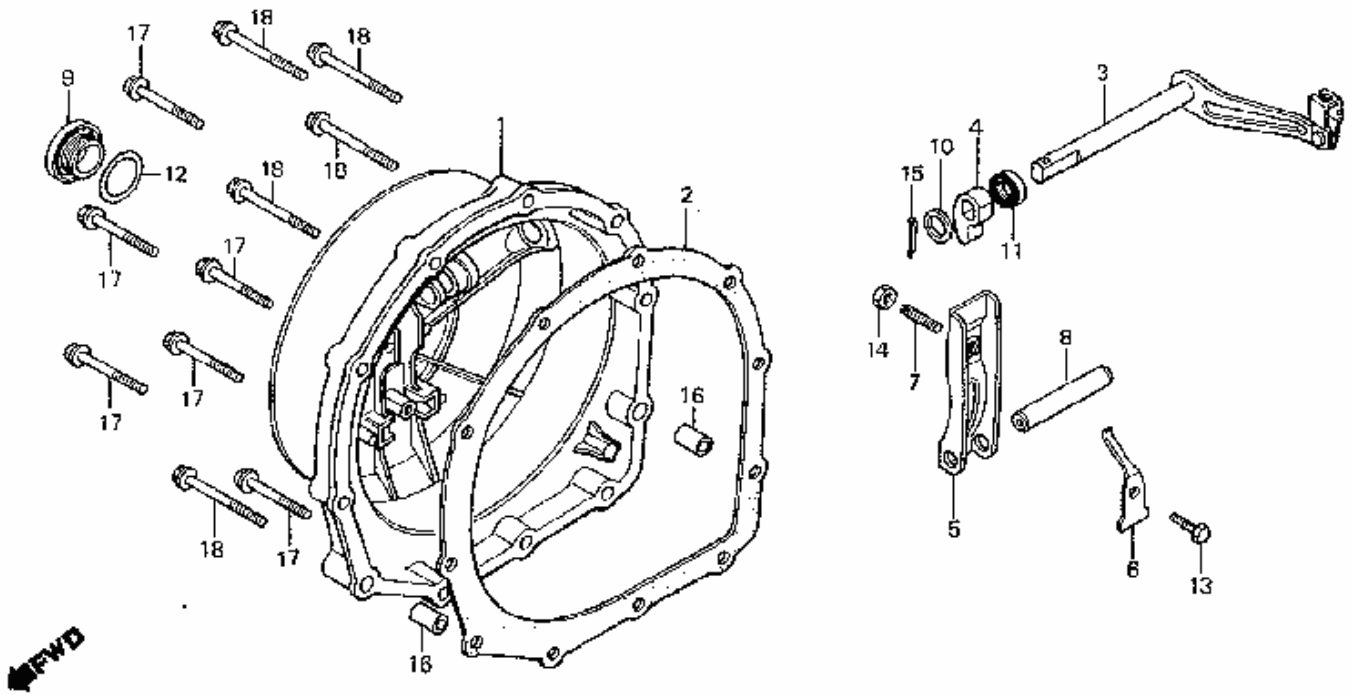


<b>Model Year:</b>	1980
<b>Manufacturer:</b>	Honda
<b>Model:</b>	CB750K
<b>Schematic:</b>	CLUTCH
<b>Description:</b>	1980 Honda CB750K CLUTCH

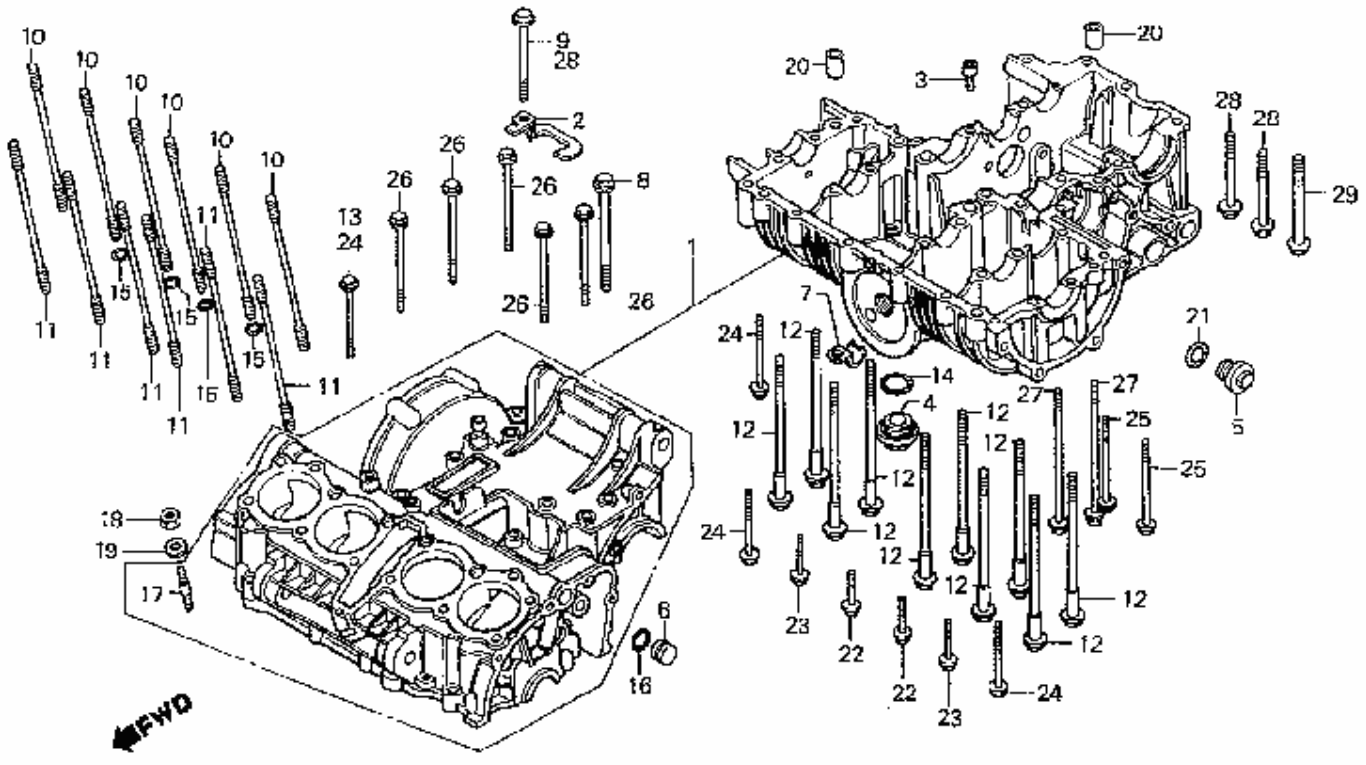




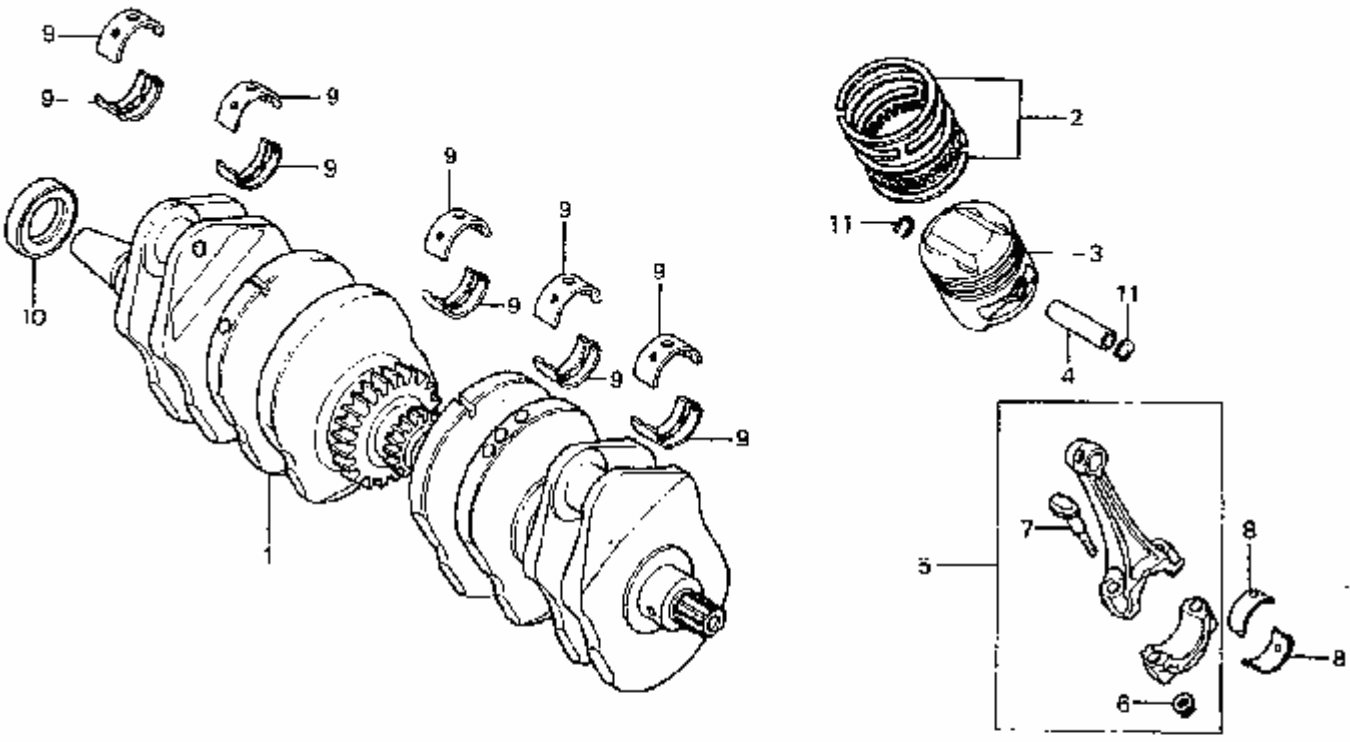
<b>Model Year:</b>	1980
<b>Manufacturer:</b>	Honda
<b>Model:</b>	CB750K
<b>Schematic:</b>	CLUTCH COVER
<b>Description:</b>	1980 Honda CB750K CLUTCH COVER



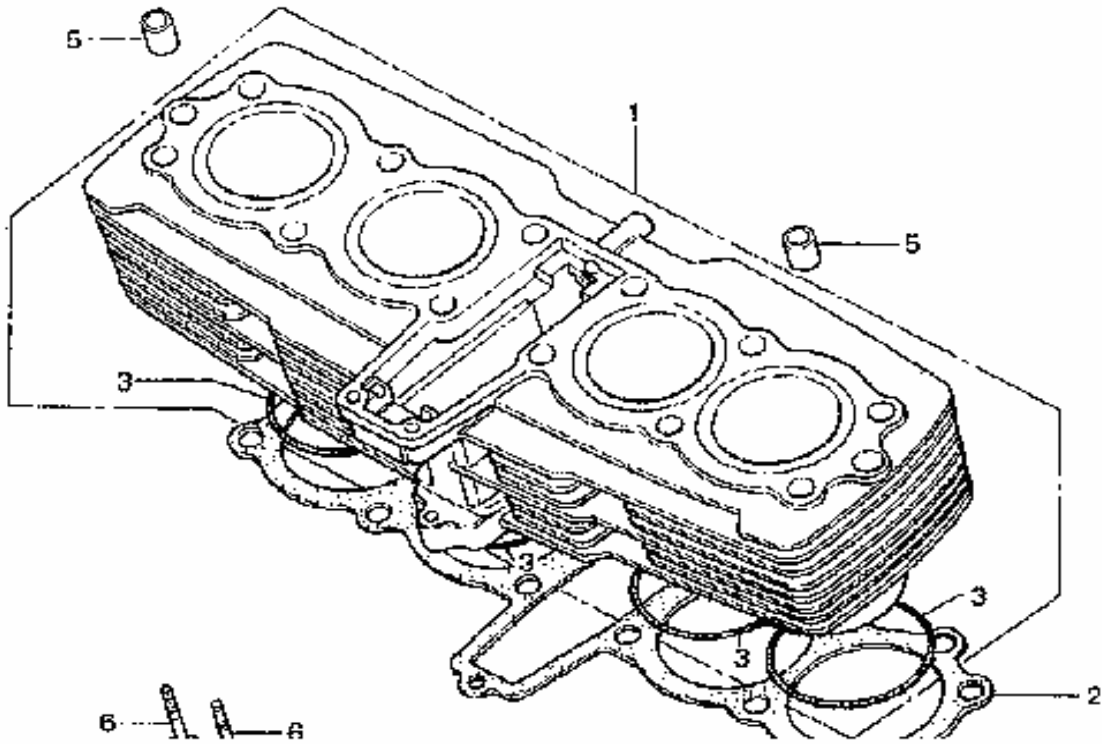
<b>Model Year:</b>	1980
<b>Manufacturer:</b>	Honda
<b>Model:</b>	CB750K
<b>Schematic:</b>	CRANKCASE
<b>Description:</b>	1980 Honda CB750K CRANKCASE



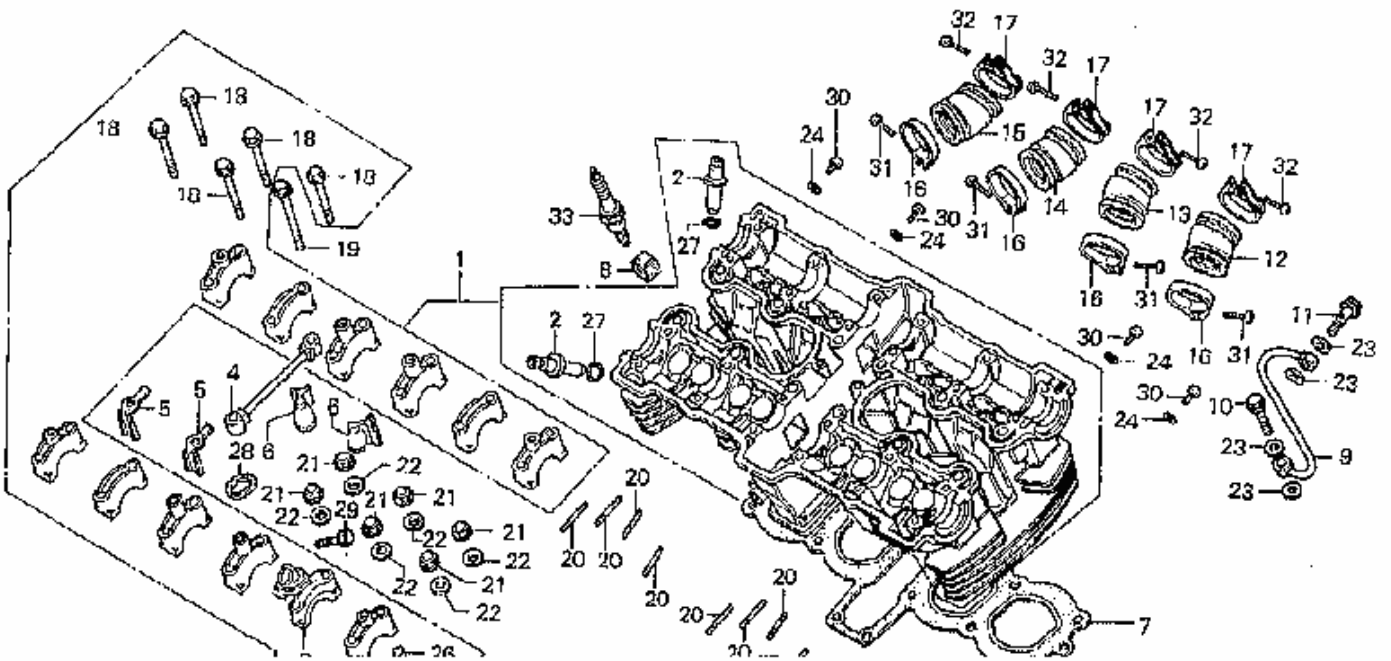
<b>Model Year:</b>	1980
<b>Manufacturer:</b>	Honda
<b>Model:</b>	CB750K
<b>Schematic:</b>	CRANKSHAFT & PISTON
<b>Description:</b>	1980 Honda CB750K CRANKSHAFT PISTON



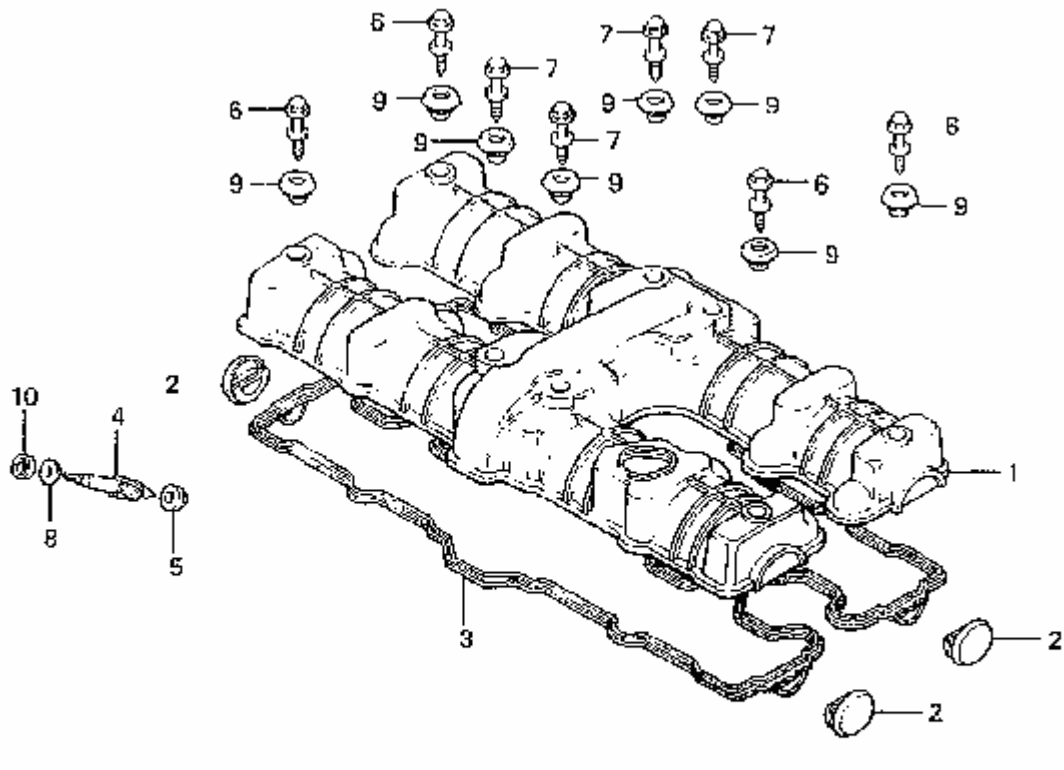
<b>Model Year:</b>	1980
<b>Manufacturer:</b>	Honda
<b>Model:</b>	CB750K
<b>Schematic:</b>	CYLINDER
<b>Description:</b>	1980 Honda CB750K CYLINDER



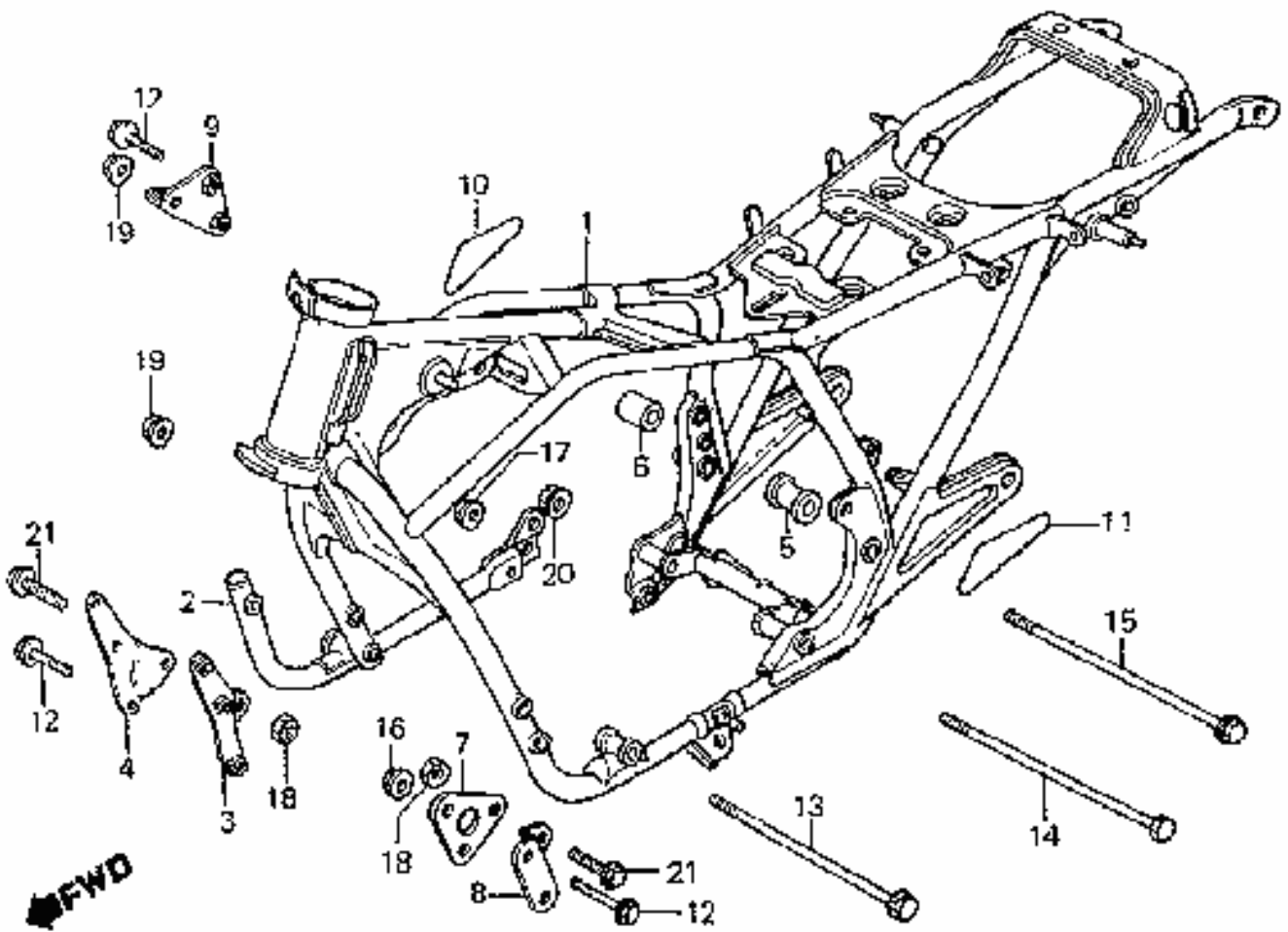
<b>Model Year:</b>	1980
<b>Manufacturer:</b>	Honda
<b>Model:</b>	CB750K
<b>Schematic:</b>	CYLINDER - HEAD
<b>Description:</b>	1980 Honda CB750K CYLINDER HEAD



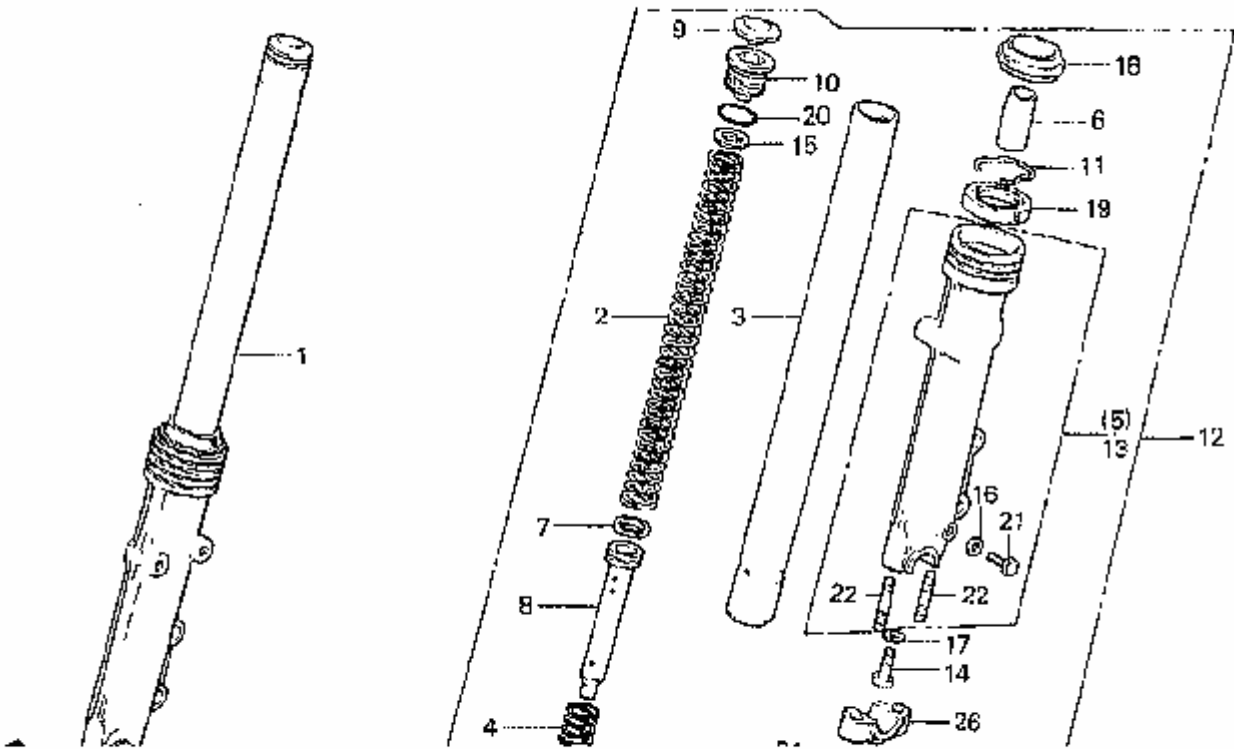
<b>Model Year:</b>	1980
<b>Manufacturer:</b>	Honda
<b>Model:</b>	CB750K
<b>Schematic:</b>	CYLINDER HEAD COVER
<b>Description:</b>	1980 Honda CB750K CYLINDER HEAD COVER



<b>Model Year:</b>	1980
<b>Manufacturer:</b>	Honda
<b>Model:</b>	CB750K
<b>Schematic:</b>	FRAME BODY
<b>Description:</b>	1980 Honda CB750K FRAME BODY

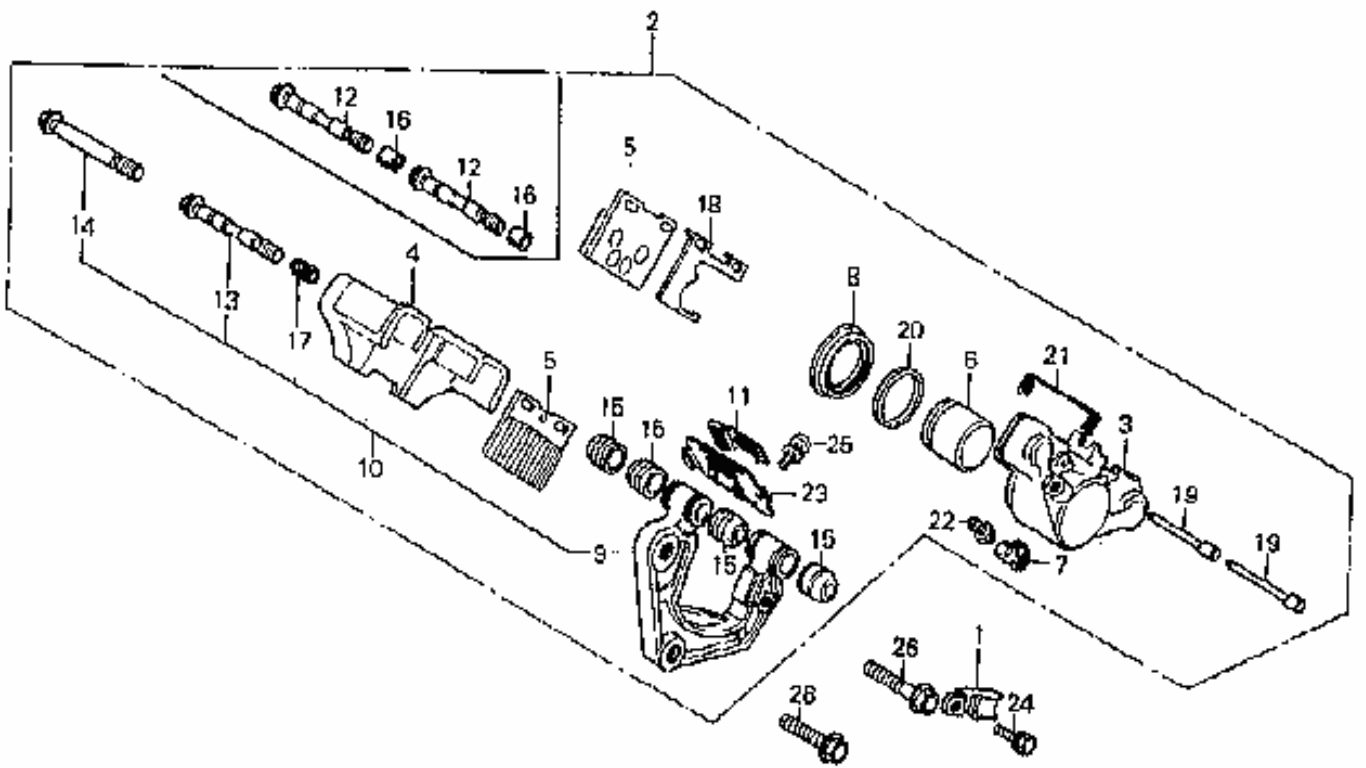


<b>Model Year:</b>	1980
<b>Manufacturer:</b>	Honda
<b>Model:</b>	CB750K
<b>Schematic:</b>	FRONT - FORK
<b>Description:</b>	1980 Honda CB750K FRONT FORK

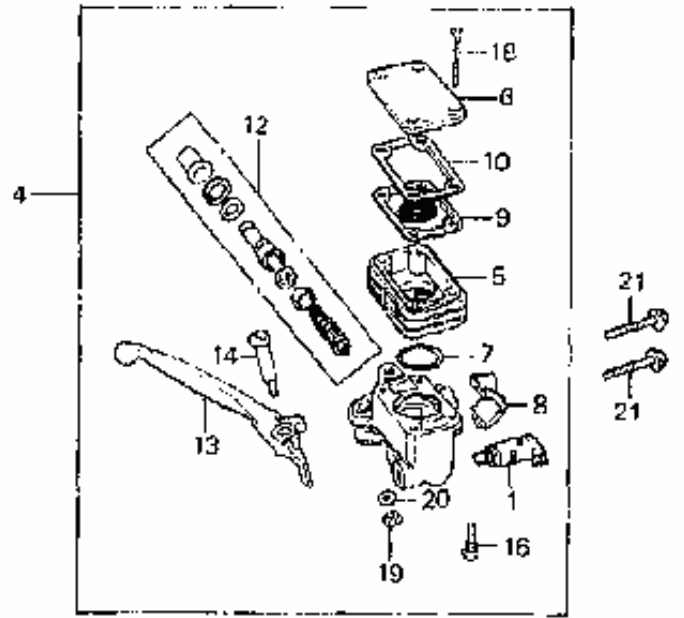
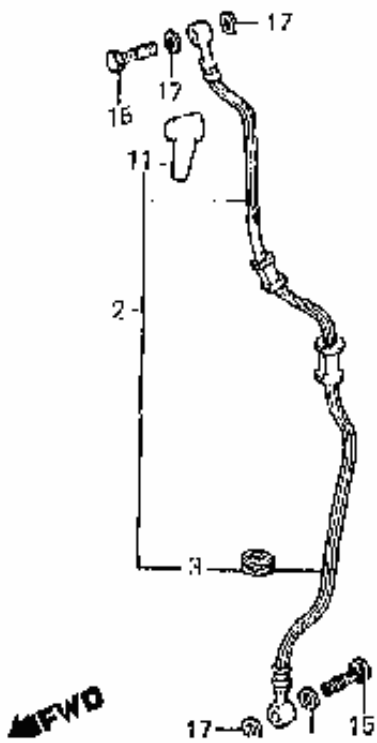




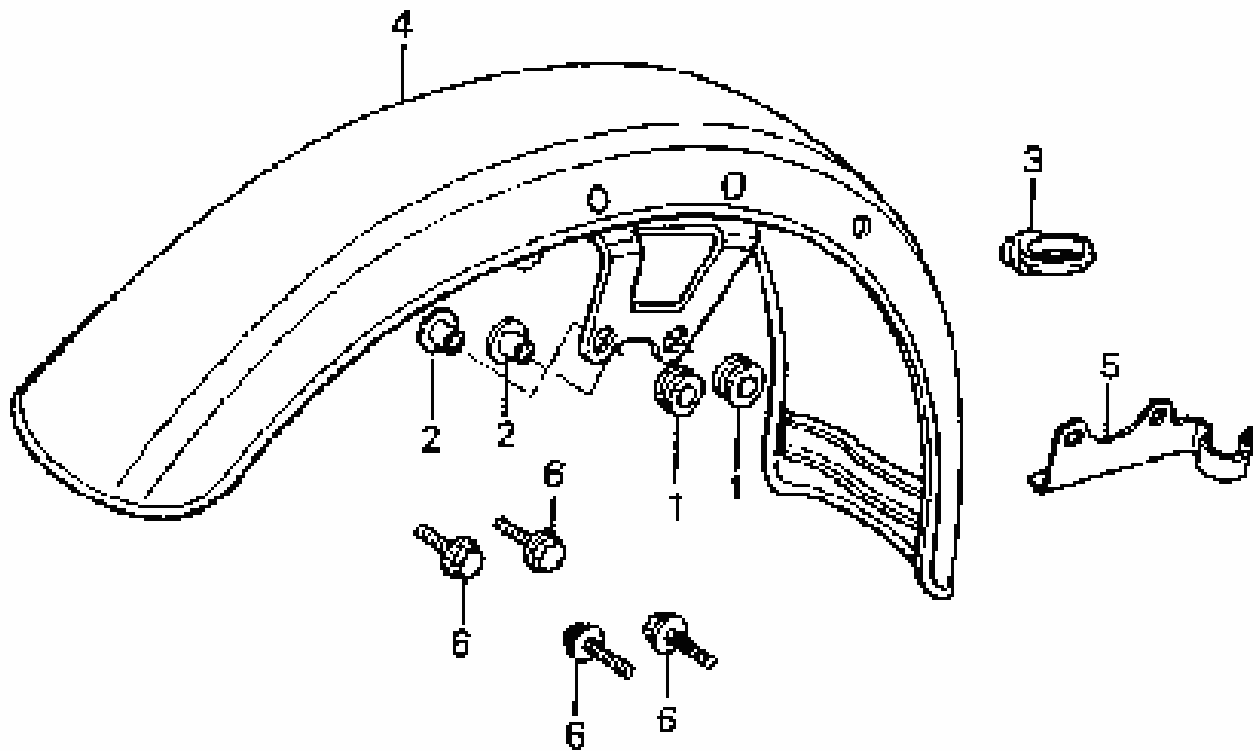
<b>Model Year:</b>	1980
<b>Manufacturer:</b>	Honda
<b>Model:</b>	CB750K
<b>Schematic:</b>	FRONT BRAKE - CALIPER
<b>Description:</b>	1980 Honda CB750K FRONT BRAKE CALIPER



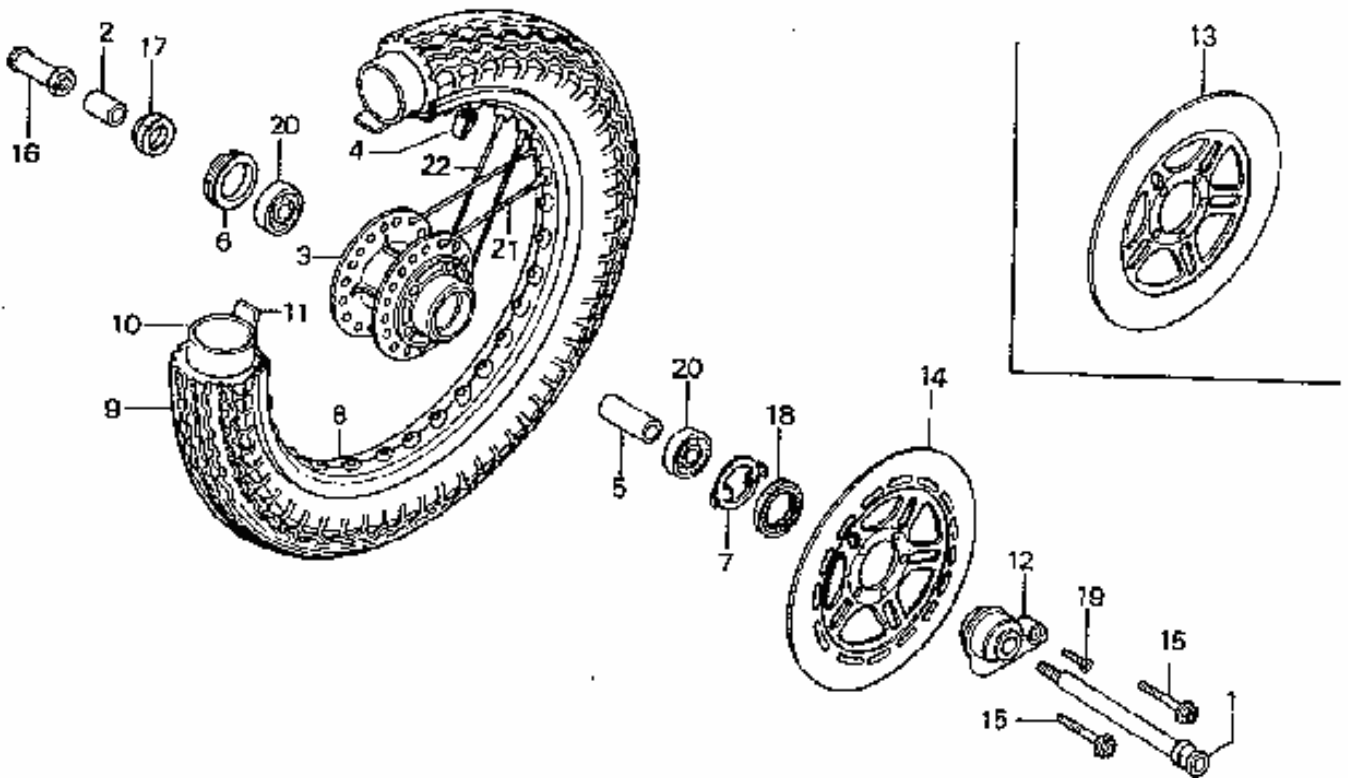
<b>Model Year:</b>	1980
<b>Manufacturer:</b>	Honda
<b>Model:</b>	CB750K
<b>Schematic:</b>	FRONT BRAKE - MASTER CYLINDER
<b>Description:</b>	1980 Honda CB750K FRONT BRAKE MASTER CYLINDER



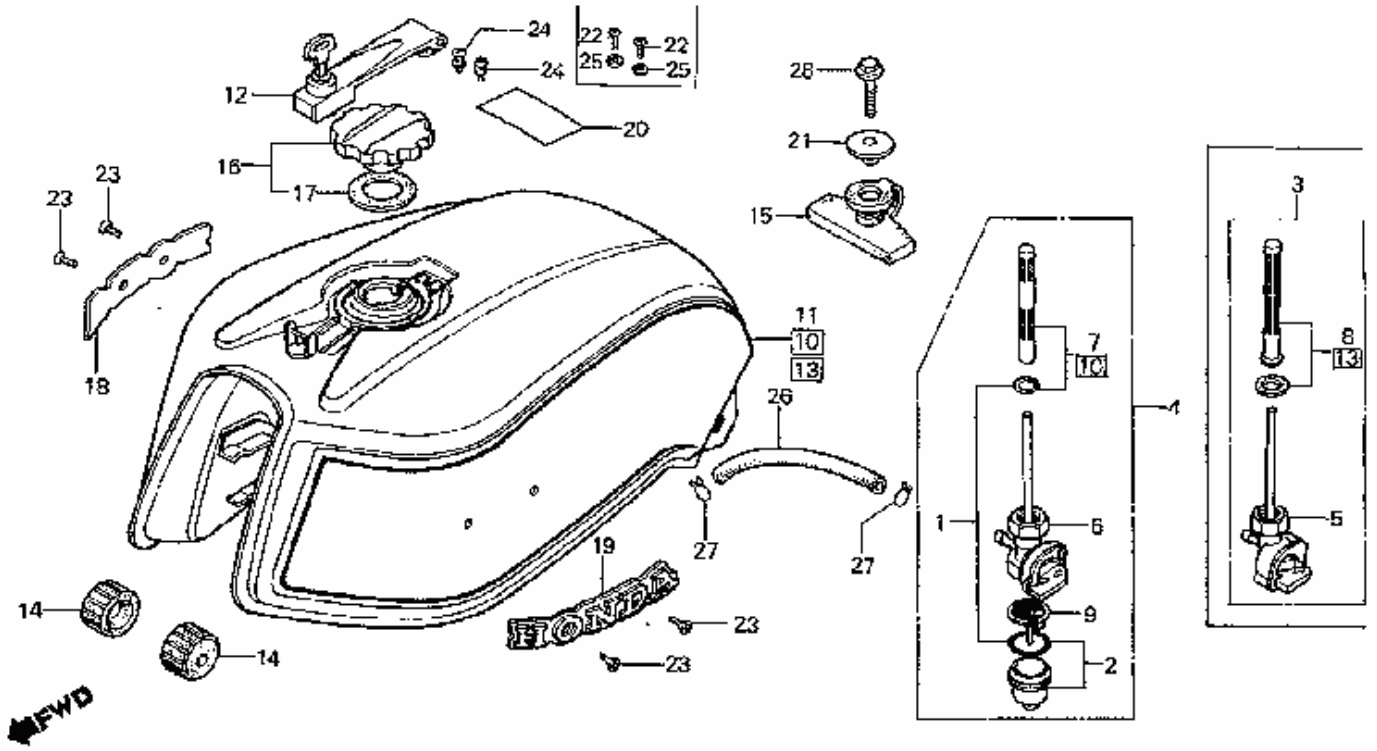
<b>Model Year:</b>	1980
<b>Manufacturer:</b>	Honda
<b>Model:</b>	CB750K
<b>Schematic:</b>	FRONT FENDER
<b>Description:</b>	1980 Honda CB750K FRONT FENDER



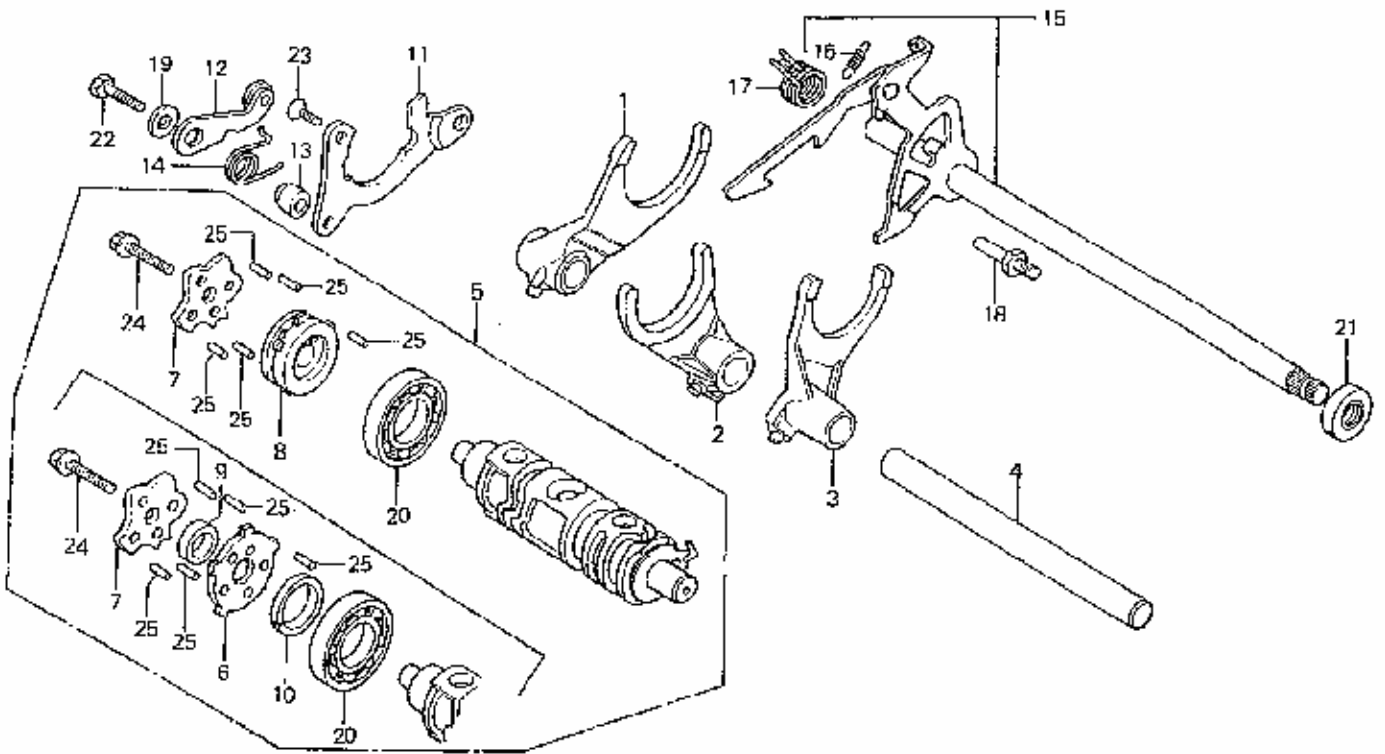
<b>Model Year:</b>	1980
<b>Manufacturer:</b>	Honda
<b>Model:</b>	CB750K
<b>Schematic:</b>	FRONT WHEEL
<b>Description:</b>	1980 Honda CB750K FRONT WHEEL



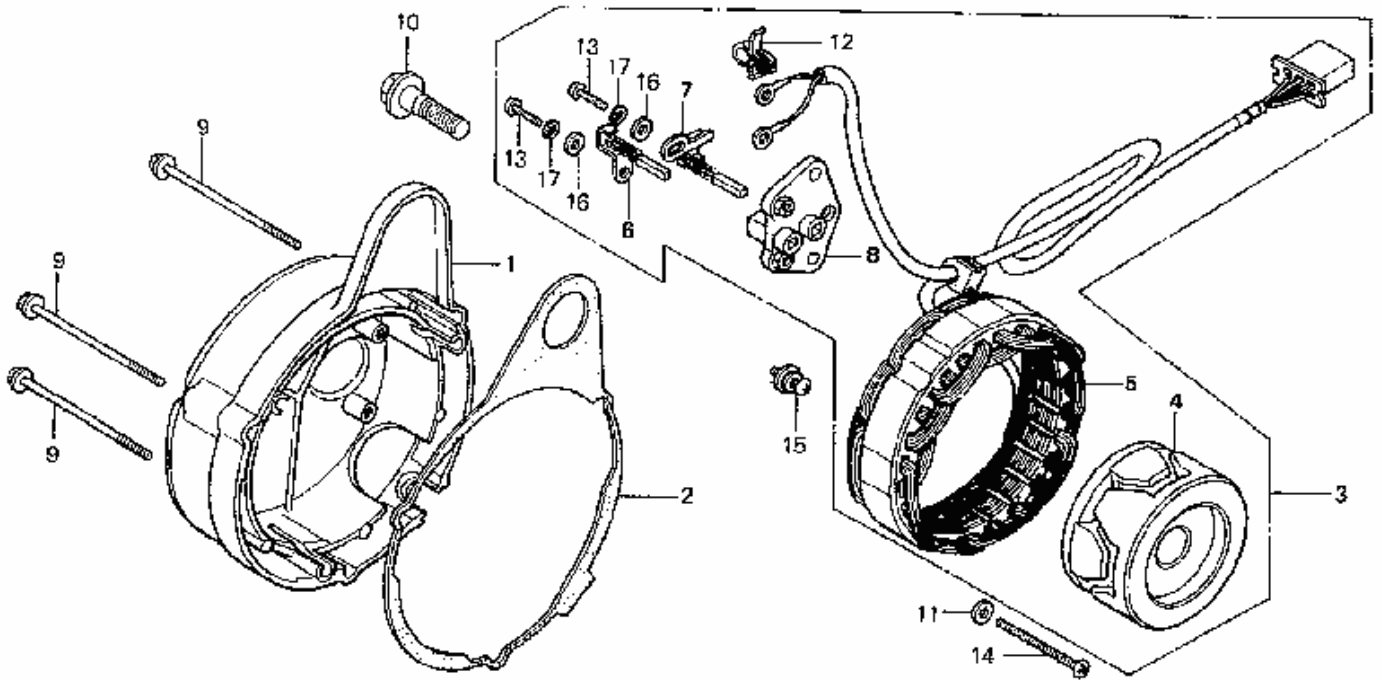
<b>Model Year:</b>	1980
<b>Manufacturer:</b>	Honda
<b>Model:</b>	CB750K
<b>Schematic:</b>	FUEL TANK
<b>Description:</b>	1980 Honda CB750K FUEL TANK



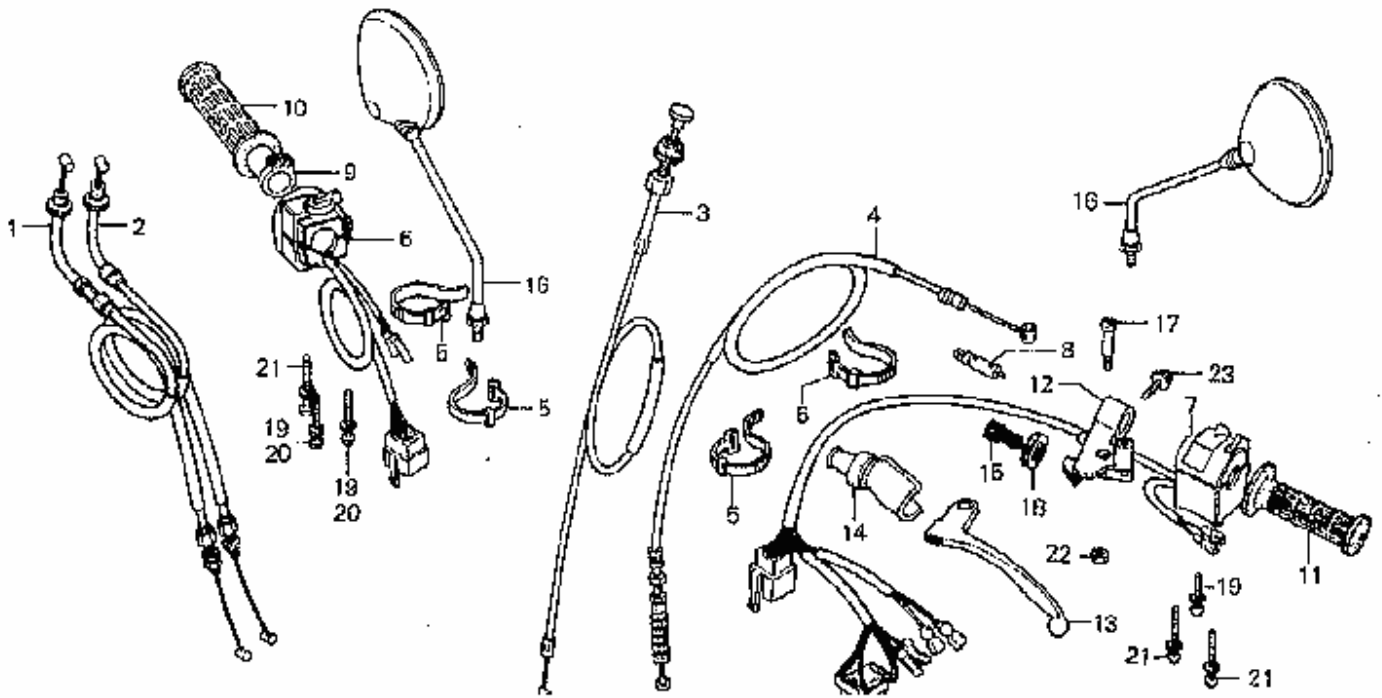
<b>Model Year:</b>	1980
<b>Manufacturer:</b>	Honda
<b>Model:</b>	CB750K
<b>Schematic:</b>	GEARSHIFT - DRUM
<b>Description:</b>	1980 Honda CB750K GEARSHIFT DRUM



<b>Model Year:</b>	1980
<b>Manufacturer:</b>	Honda
<b>Model:</b>	CB750K
<b>Schematic:</b>	GENERATOR
<b>Description:</b>	1980 Honda CB750K GENERATOR

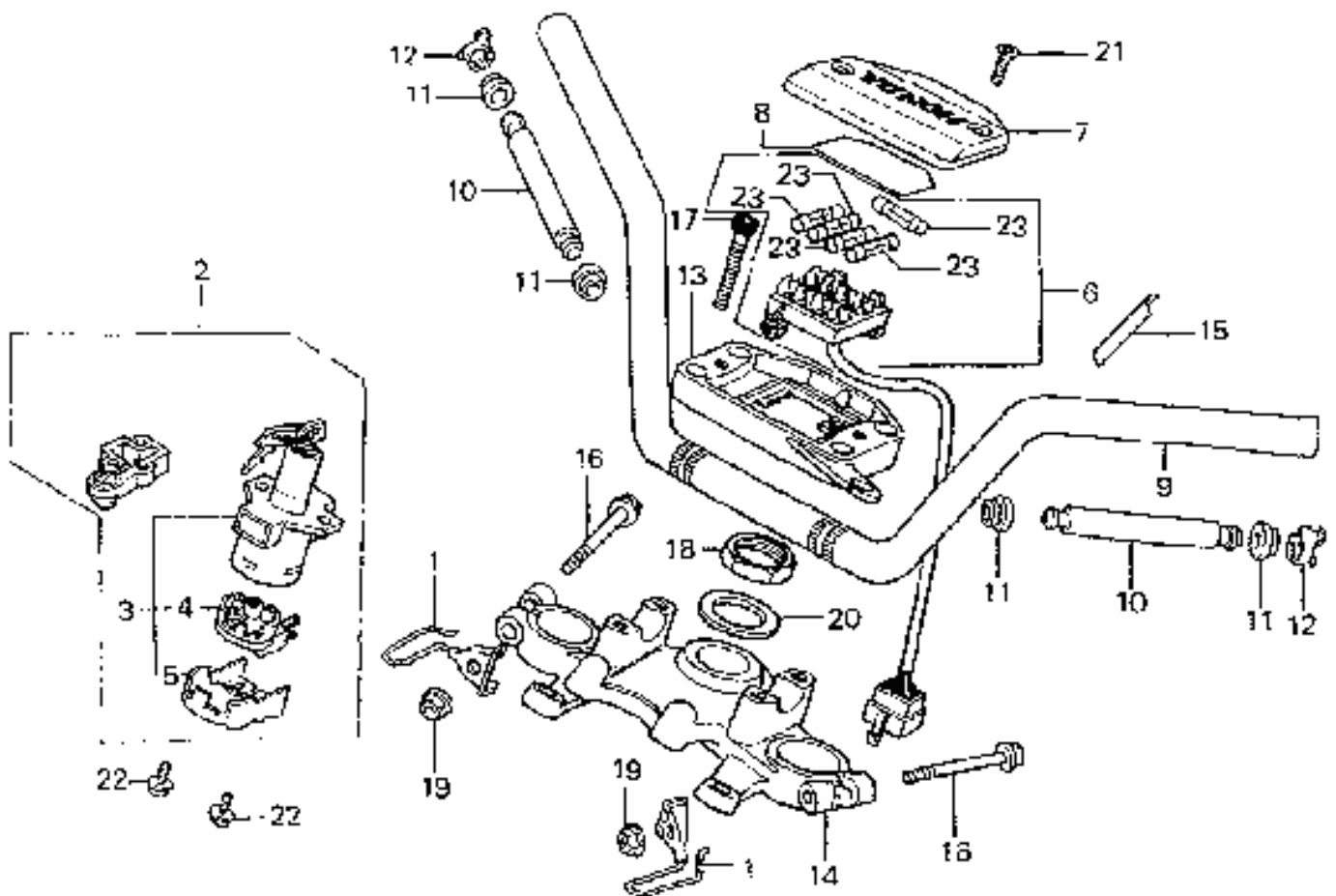


<b>Model Year:</b>	1980
<b>Manufacturer:</b>	Honda
<b>Model:</b>	CB750K
<b>Schematic:</b>	HANDLE LEVER - CABLE
<b>Description:</b>	1980 Honda CB750K HANDLE LEVER CABLE

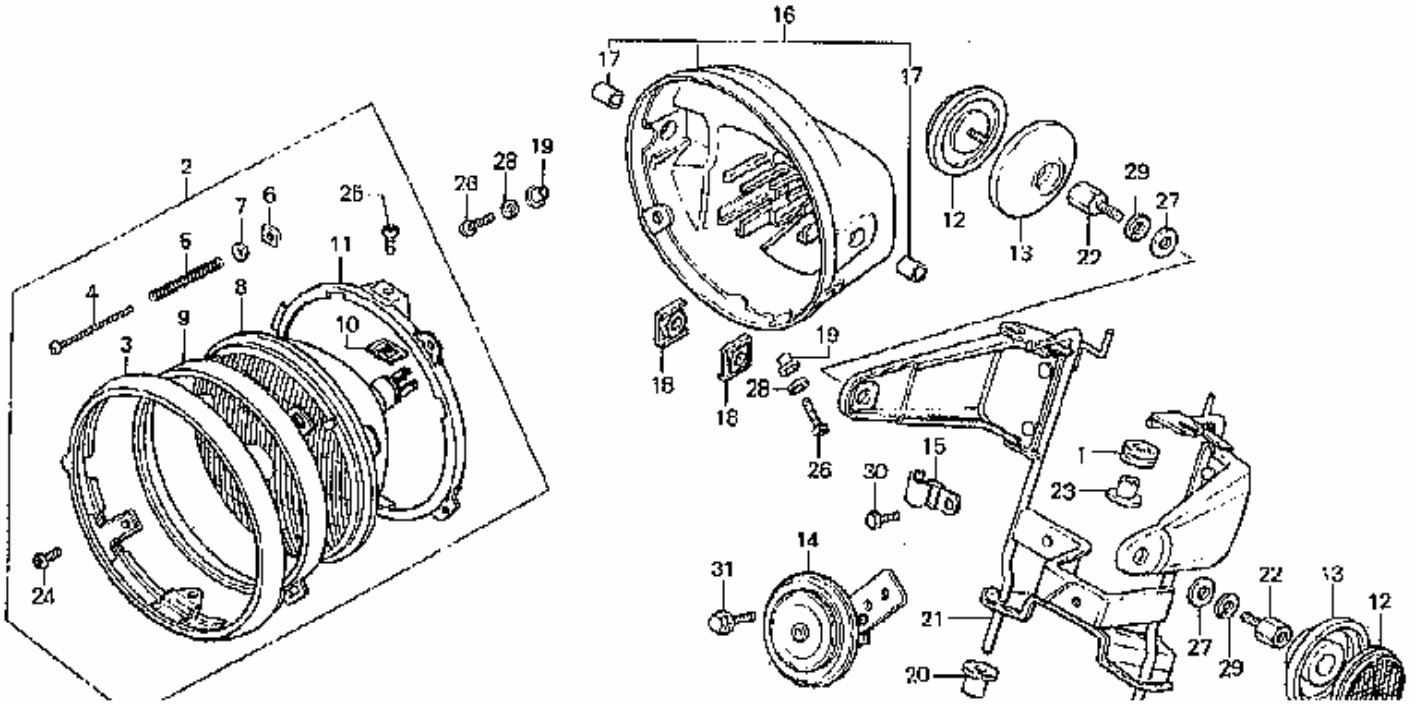




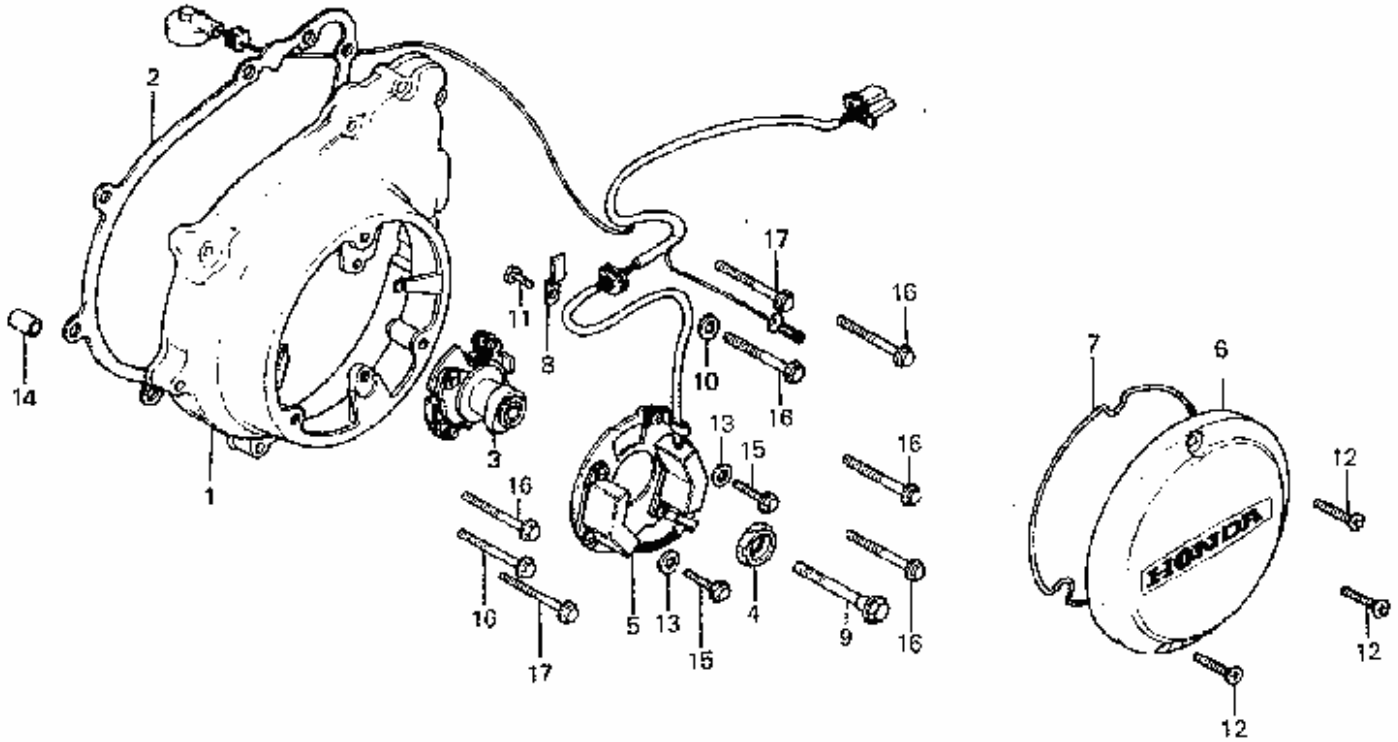
<b>Model Year:</b>	1980
<b>Manufacturer:</b>	Honda
<b>Model:</b>	CB750K
<b>Schematic:</b>	HANDLE PIPE - TOP BRIDGE
<b>Description:</b>	1980 Honda CB750K HANDLE PIPE TOP BRIDGE



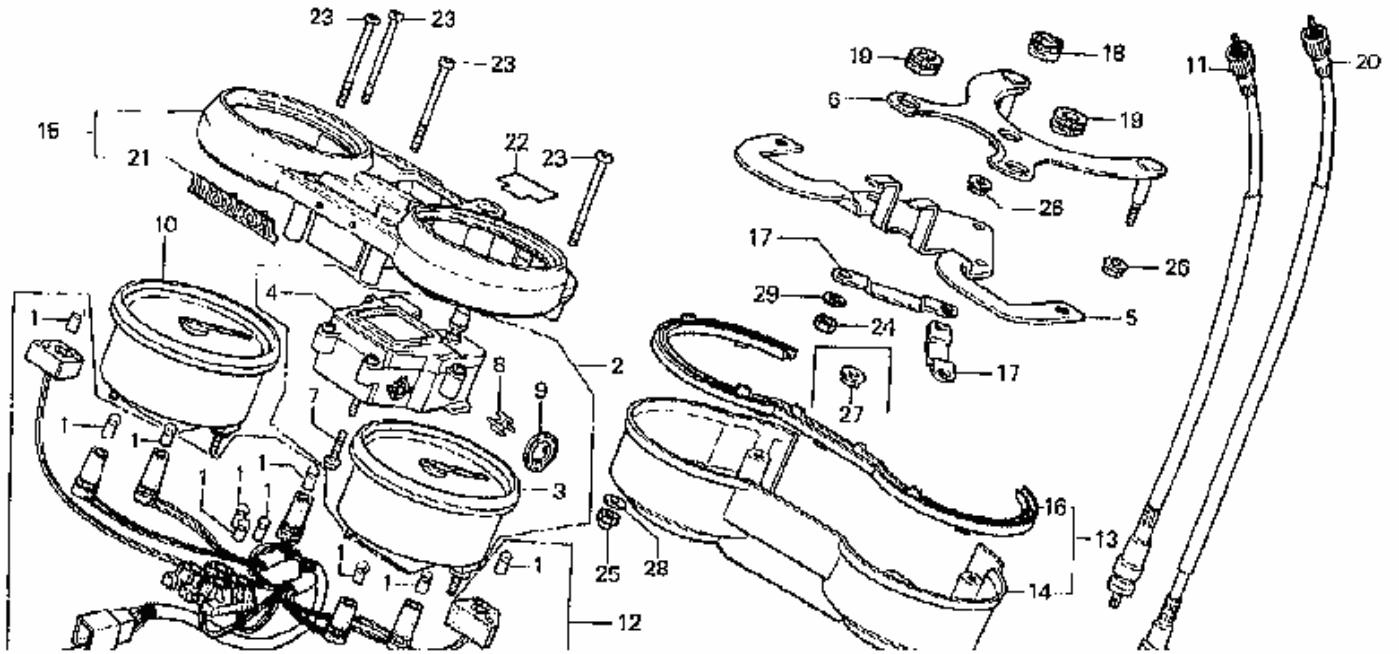
<b>Model Year:</b>	1980
<b>Manufacturer:</b>	Honda
<b>Model:</b>	CB750K
<b>Schematic:</b>	HEADLIGHT
<b>Description:</b>	1980 Honda CB750K HEADLIGHT



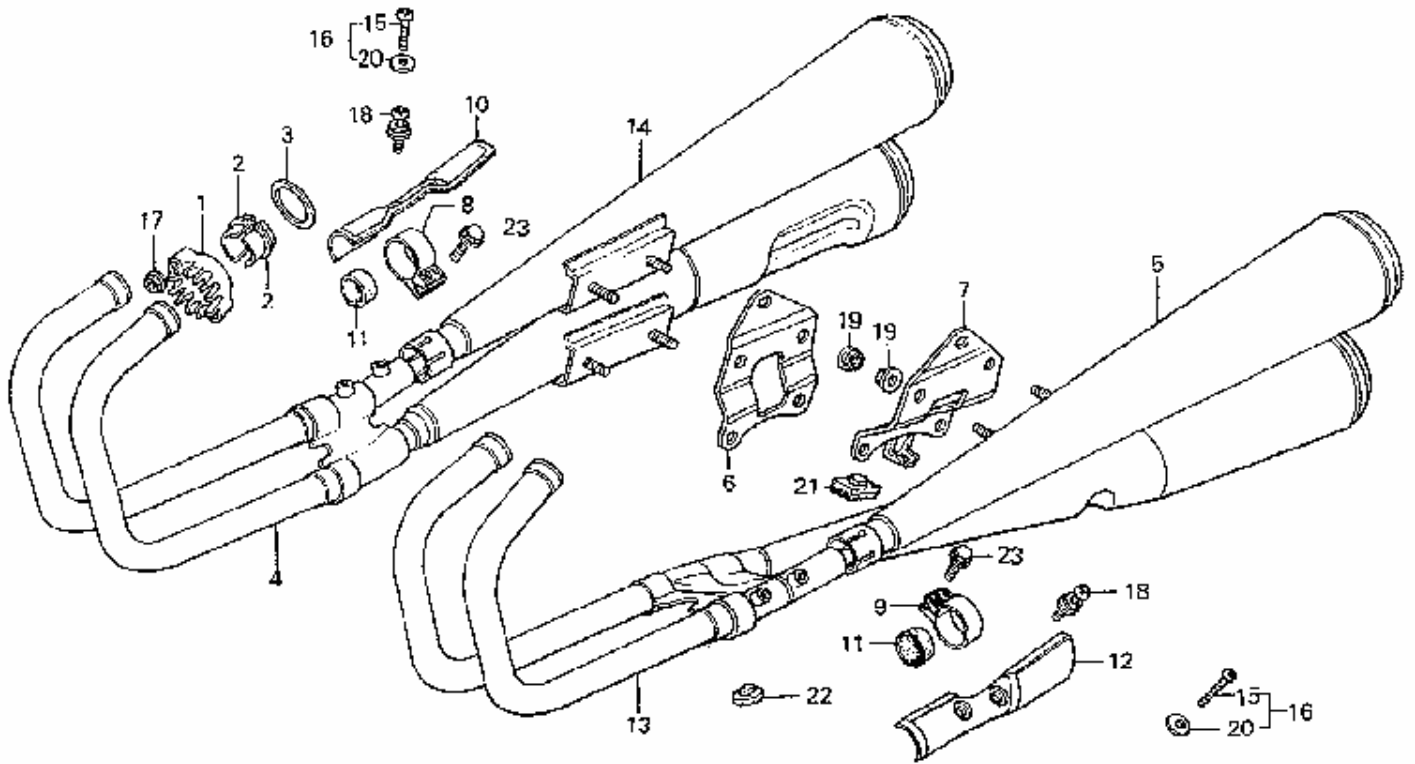
<b>Model Year:</b>	1980
<b>Manufacturer:</b>	Honda
<b>Model:</b>	CB750K
<b>Schematic:</b>	LEFT CRANKCASE COVER - SPARK ADVANCER
<b>Description:</b>	1980 Honda CB750K LEFT CRANKCASE COVER SPARK ADVANCER



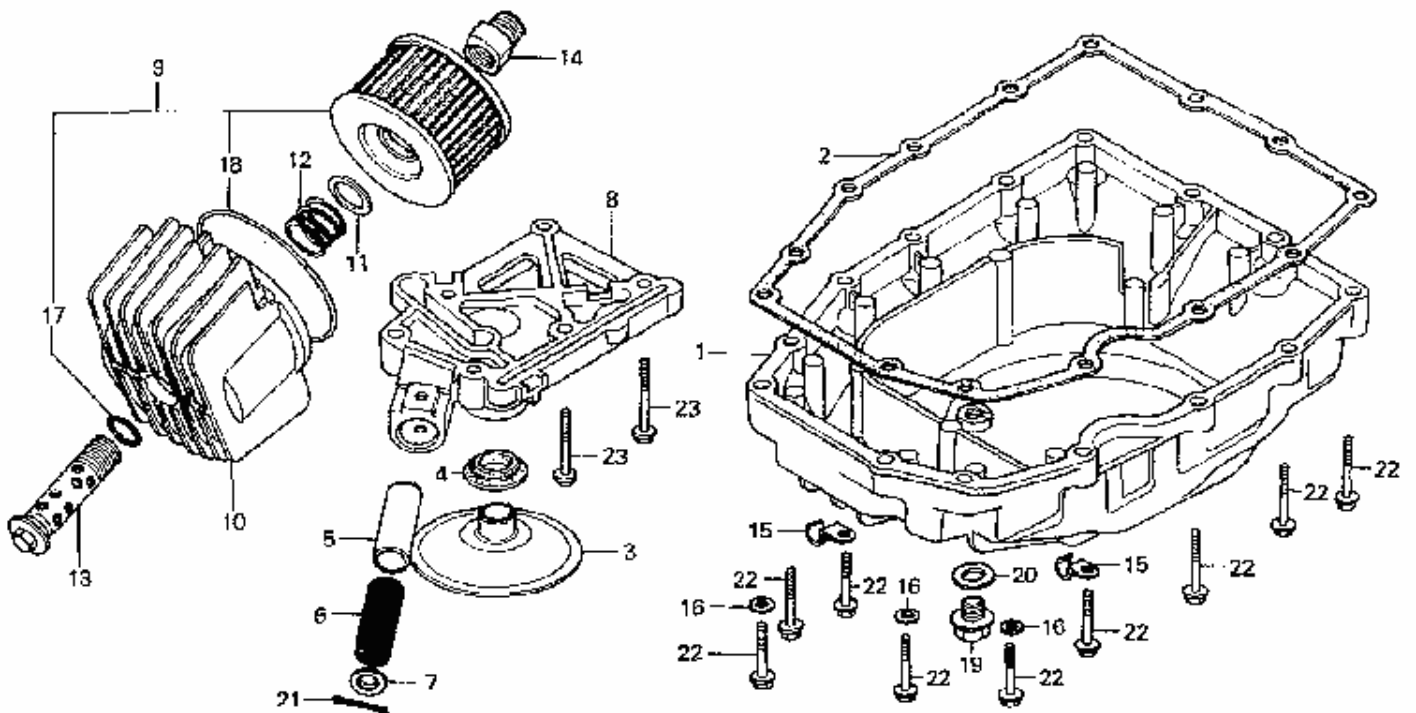
<b>Model Year:</b>	1980
<b>Manufacturer:</b>	Honda
<b>Model:</b>	CB750K
<b>Schematic:</b>	METER
<b>Description:</b>	1980 Honda CB750K METER



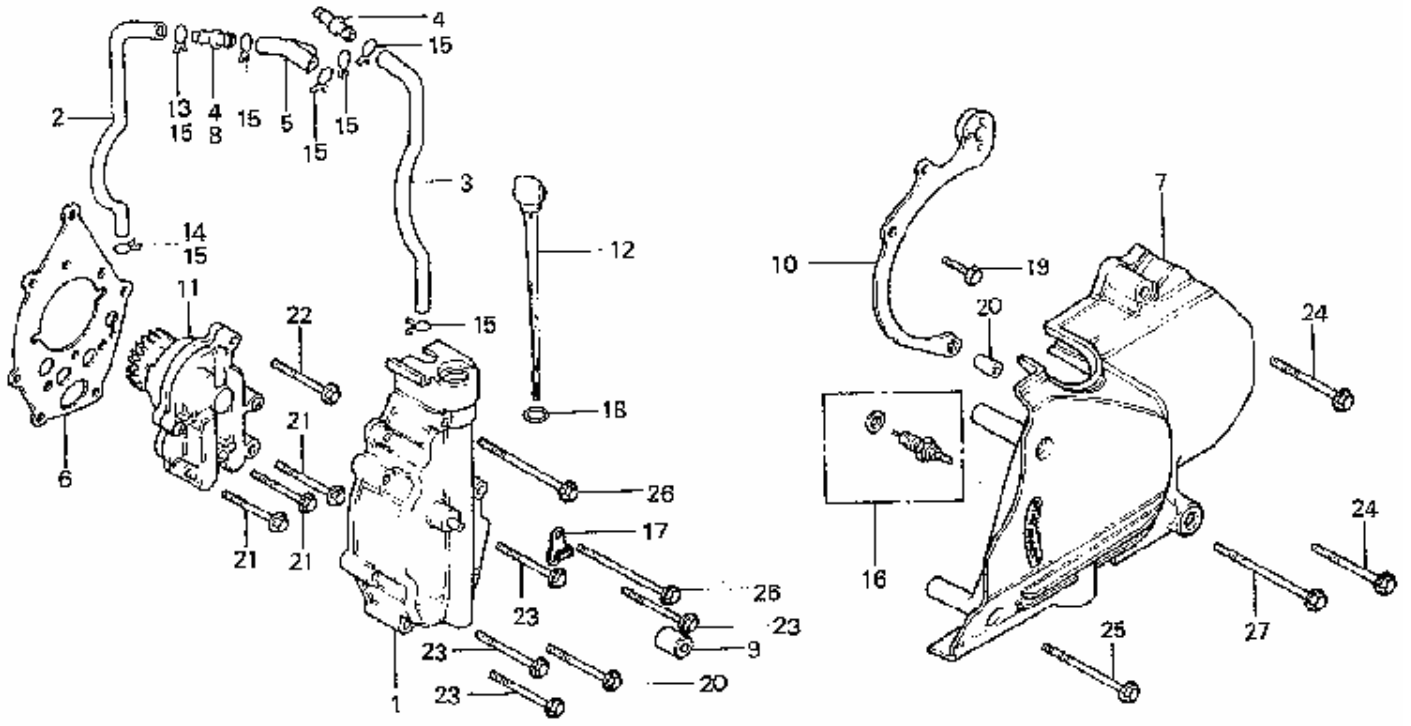
<b>Model Year:</b>	1980
<b>Manufacturer:</b>	Honda
<b>Model:</b>	CB750K
<b>Schematic:</b>	MUFFLER
<b>Description:</b>	1980 Honda CB750K MUFFLER



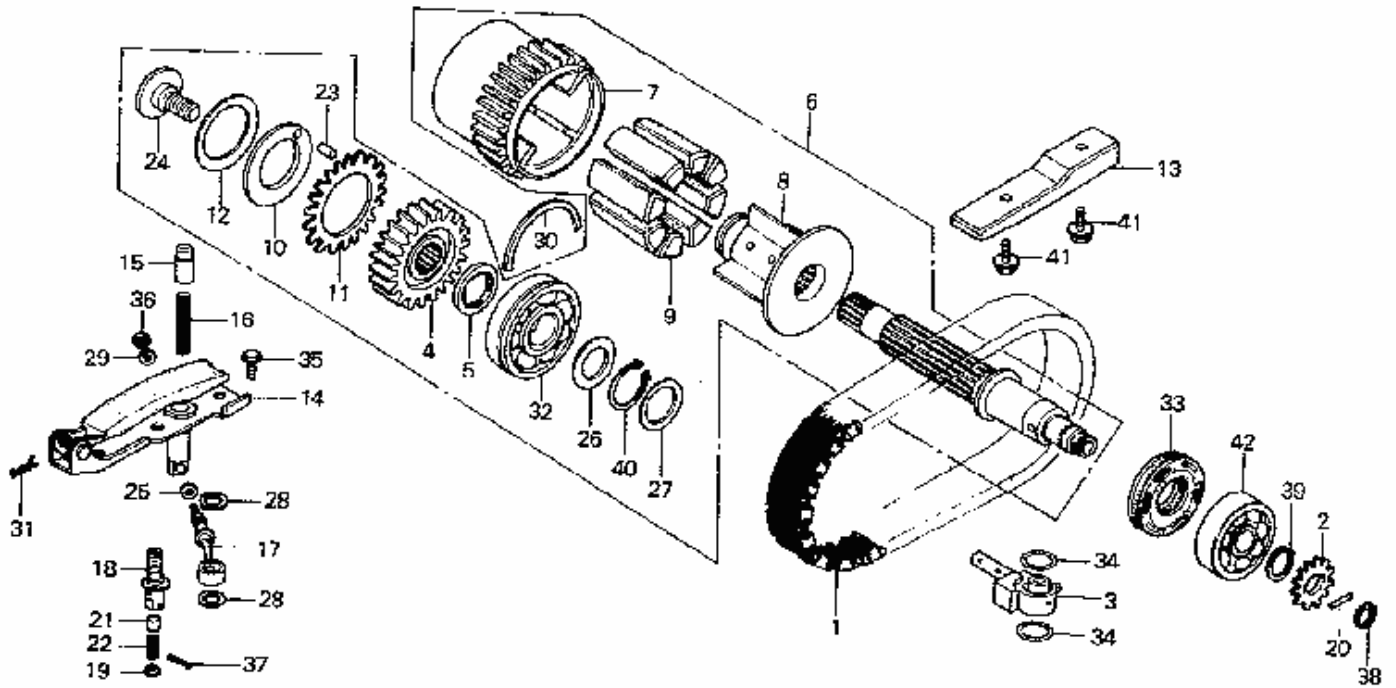
<b>Model Year:</b>	1980
<b>Manufacturer:</b>	Honda
<b>Model:</b>	CB750K
<b>Schematic:</b>	OIL FILTER - OIL PAN
<b>Description:</b>	1980 Honda CB750K OIL FILTER OIL PAN



<b>Model Year:</b>	1980
<b>Manufacturer:</b>	Honda
<b>Model:</b>	CB750K
<b>Schematic:</b>	OIL PUMP
<b>Description:</b>	1980 Honda CB750K OIL PUMP

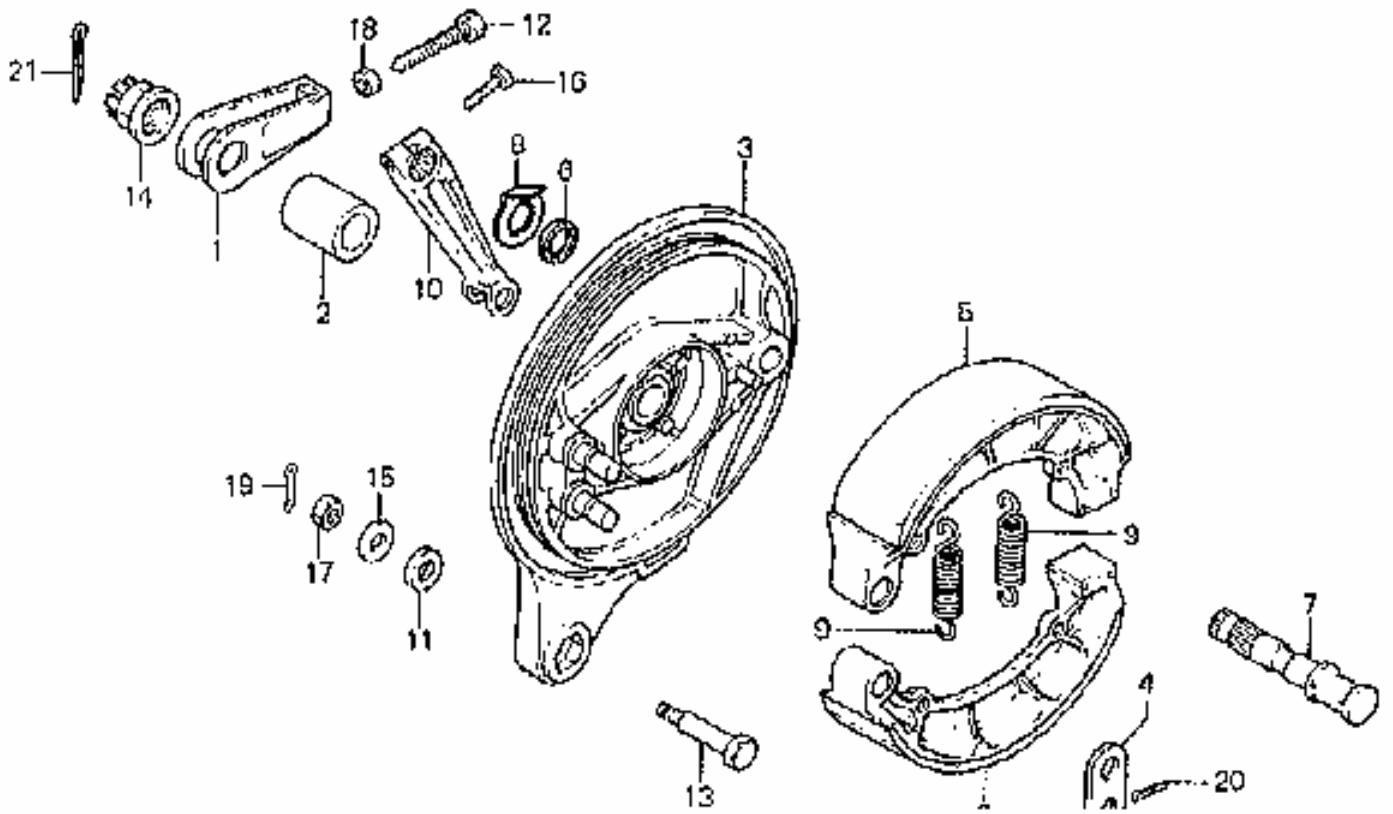


<b>Model Year:</b>	1980
<b>Manufacturer:</b>	Honda
<b>Model:</b>	CB750K
<b>Schematic:</b>	PRIMARY SHAFT
<b>Description:</b>	1980 Honda CB750K PRIMARY SHAFT

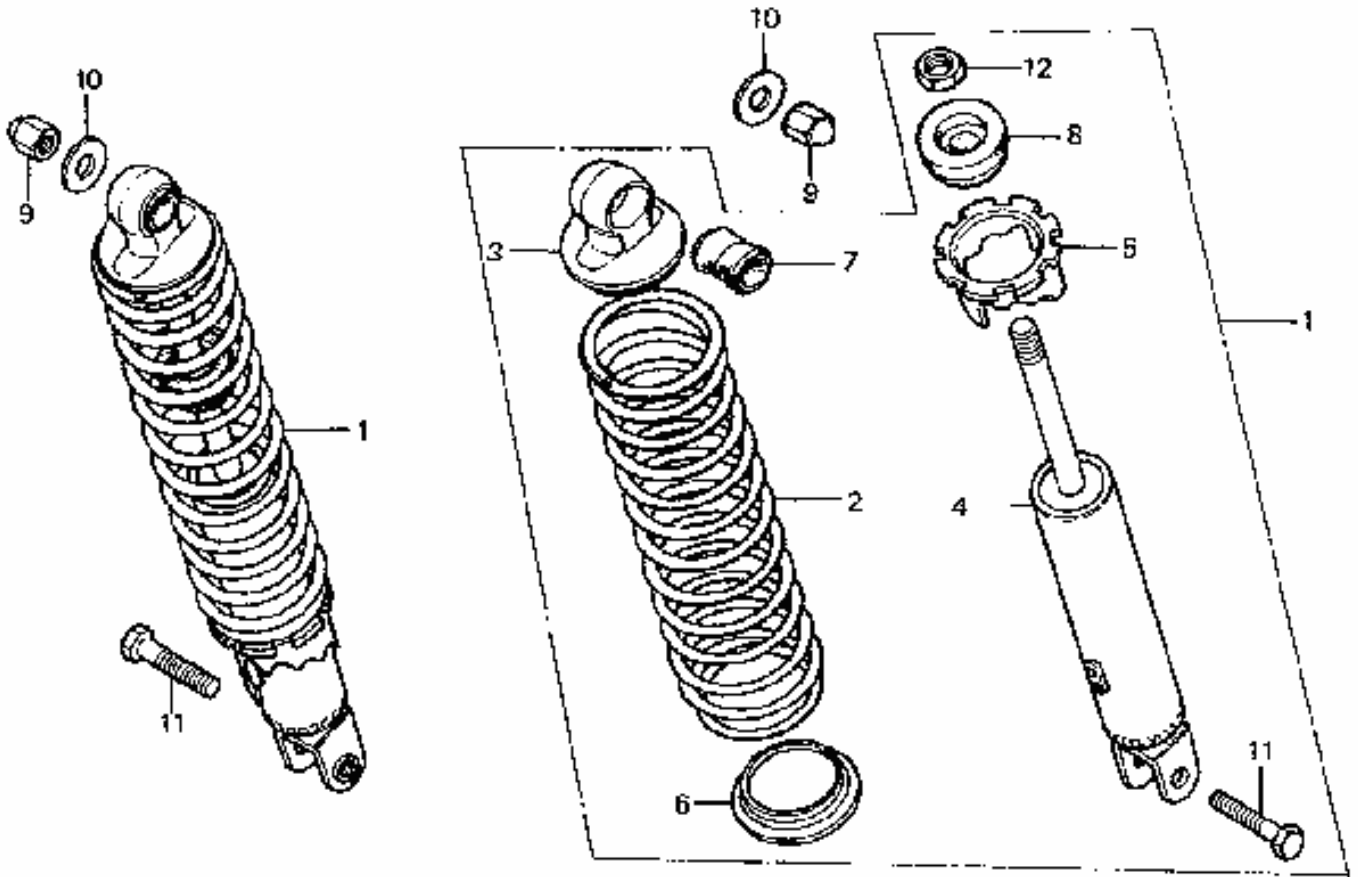




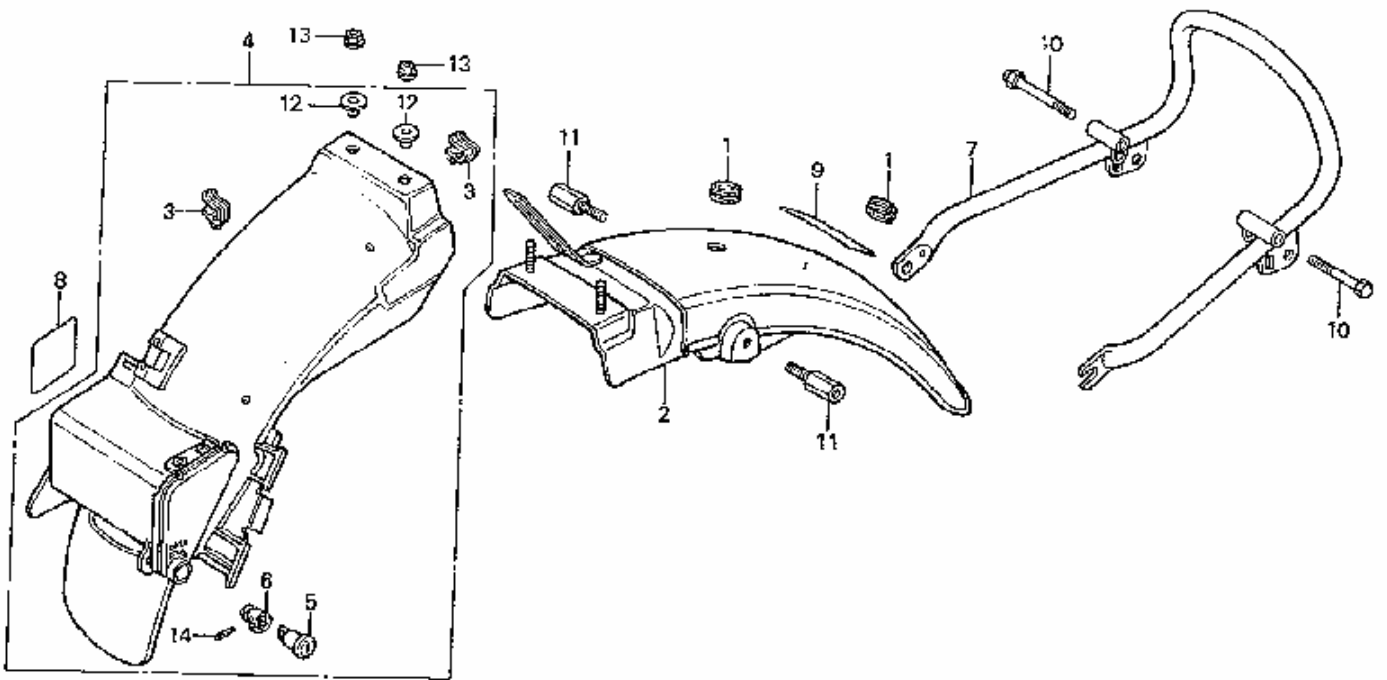
<b>Model Year:</b>	1980
<b>Manufacturer:</b>	Honda
<b>Model:</b>	CB750K
<b>Schematic:</b>	REAR BRAKE PANEL
<b>Description:</b>	1980 Honda CB750K REAR BRAKE PANEL



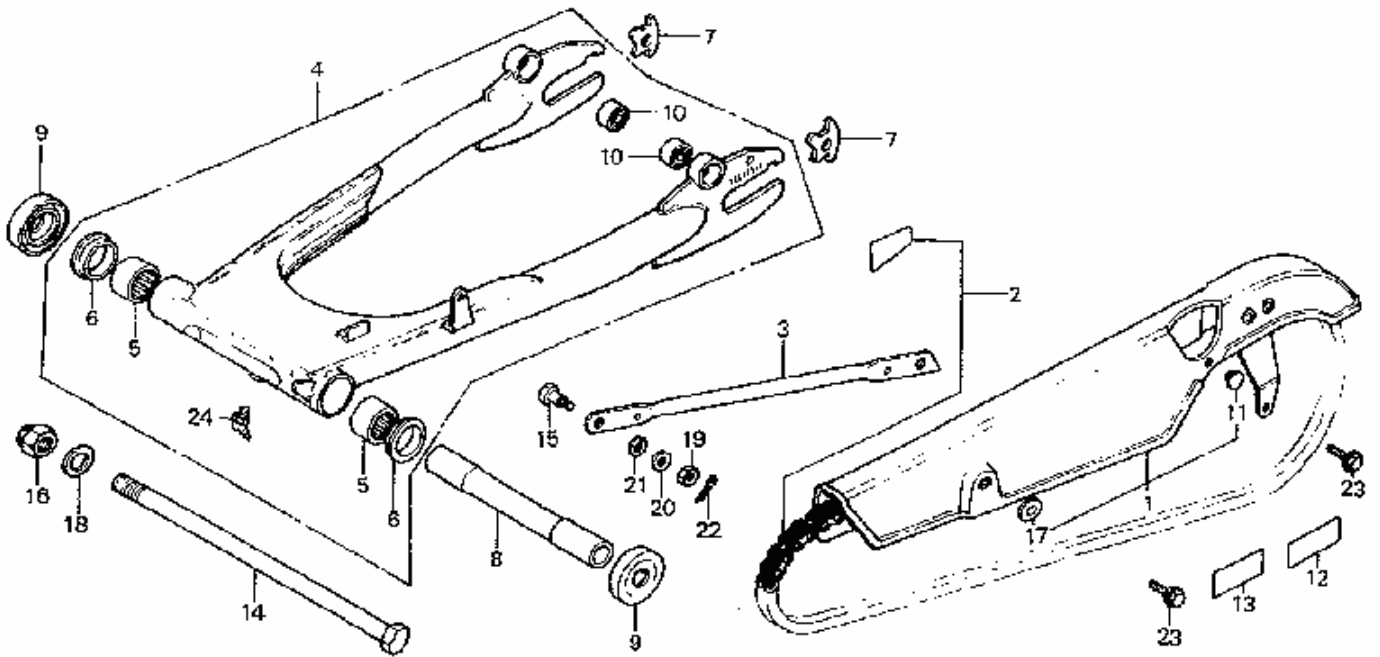
<b>Model Year:</b>	1980
<b>Manufacturer:</b>	Honda
<b>Model:</b>	CB750K
<b>Schematic:</b>	REAR CUSHION
<b>Description:</b>	1980 Honda CB750K REAR CUSHION



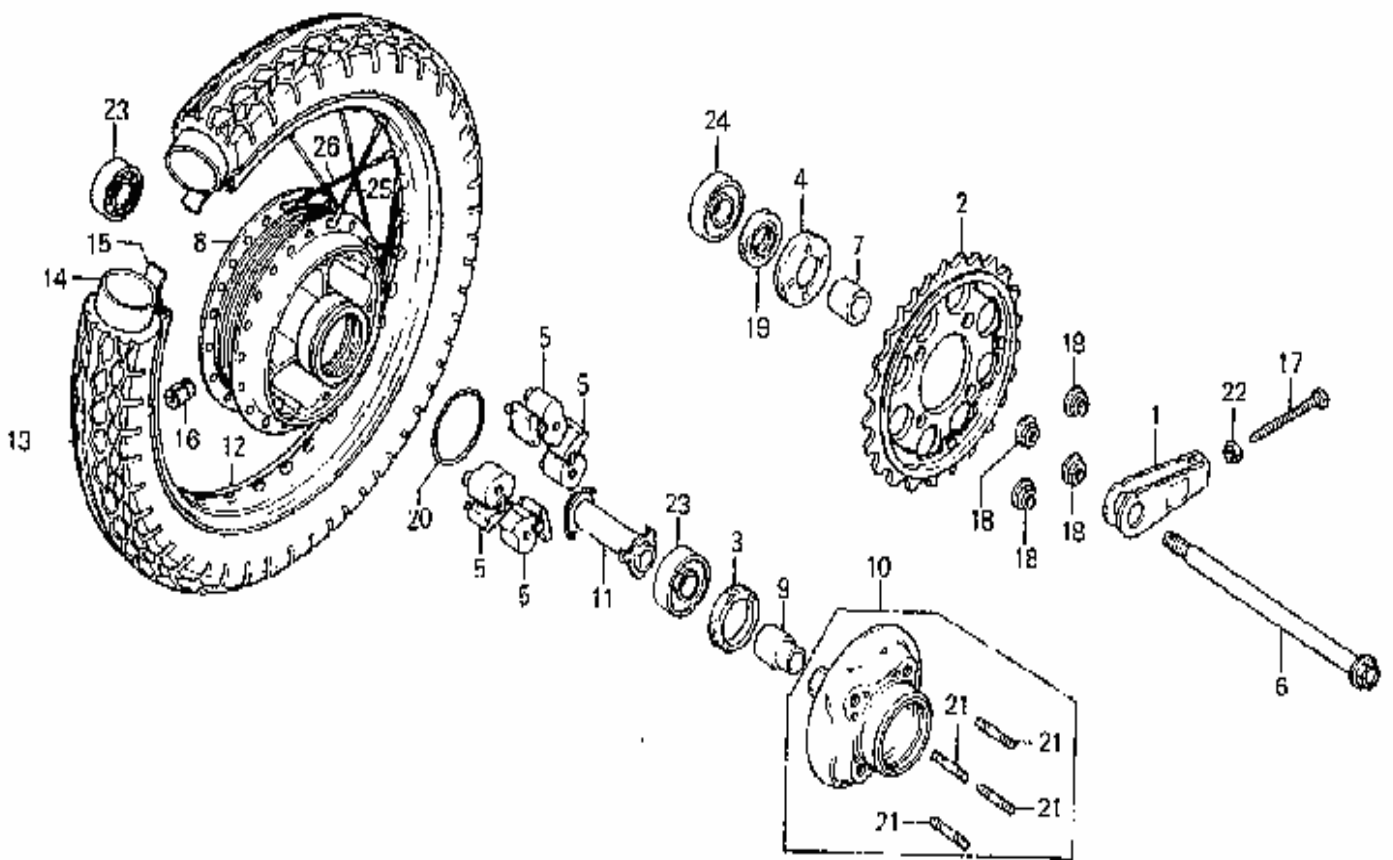
<b>Model Year:</b>	1980
<b>Manufacturer:</b>	Honda
<b>Model:</b>	CB750K
<b>Schematic:</b>	REAR FENDER
<b>Description:</b>	1980 Honda CB750K REAR FENDER



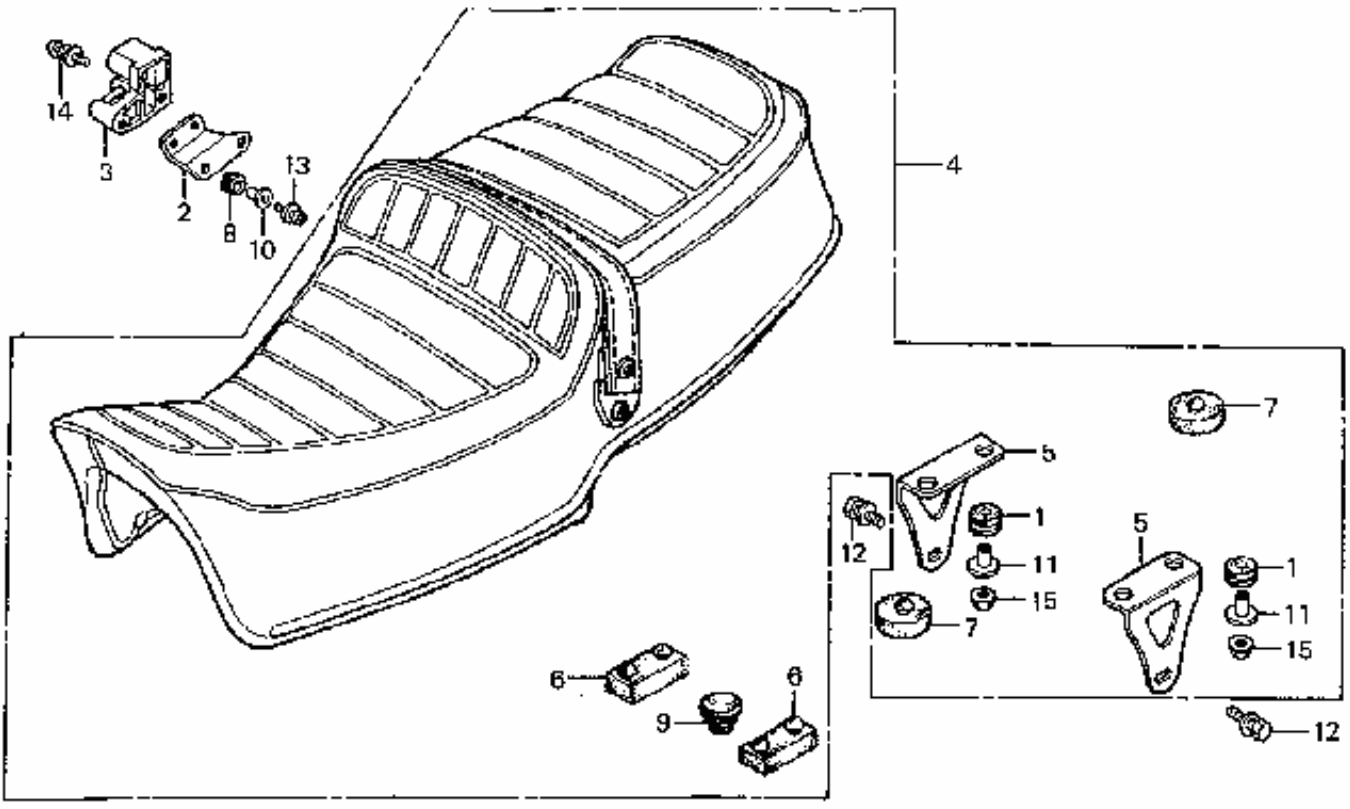
<b>Model Year:</b>	1980
<b>Manufacturer:</b>	Honda
<b>Model:</b>	CB750K
<b>Schematic:</b>	REAR FORK - CHAIN CASE
<b>Description:</b>	1980 Honda CB750K REAR FORK CHAIN CASE



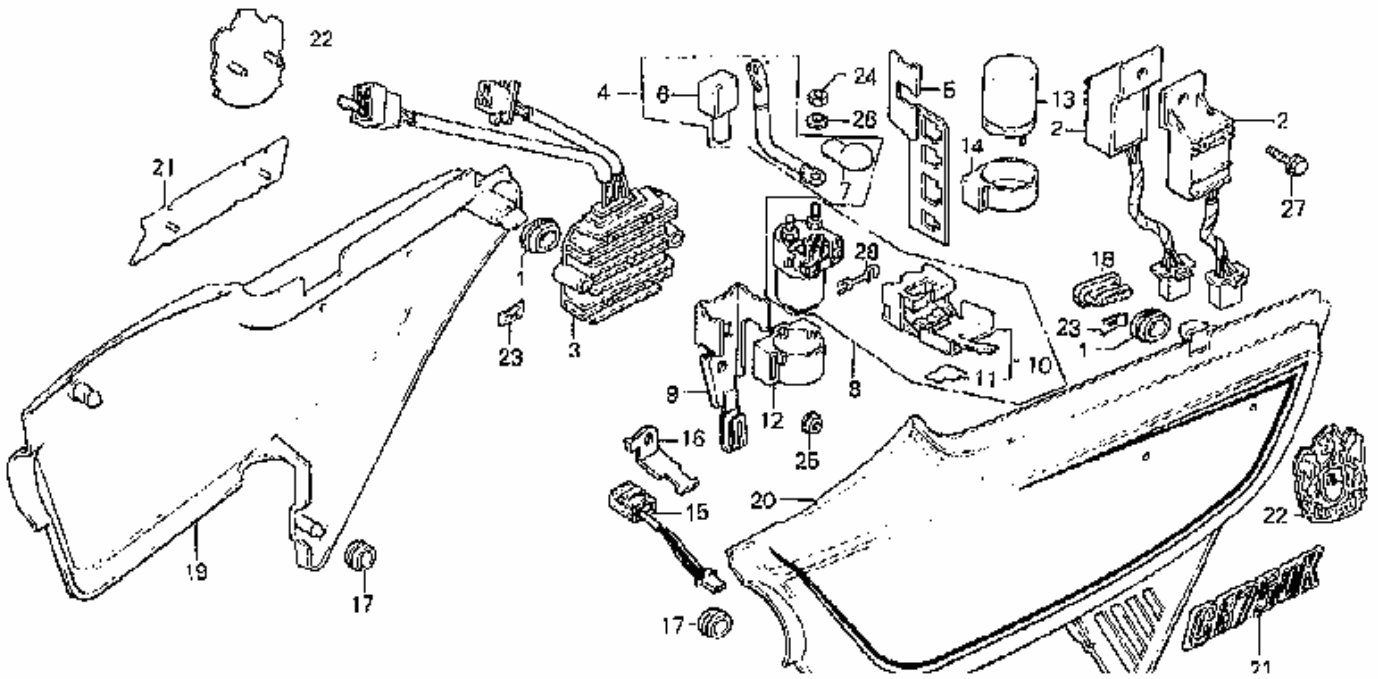
<b>Model Year:</b>	1980
<b>Manufacturer:</b>	Honda
<b>Model:</b>	CB750K
<b>Schematic:</b>	REAR WHEEL
<b>Description:</b>	1980 Honda CB750K REAR WHEEL



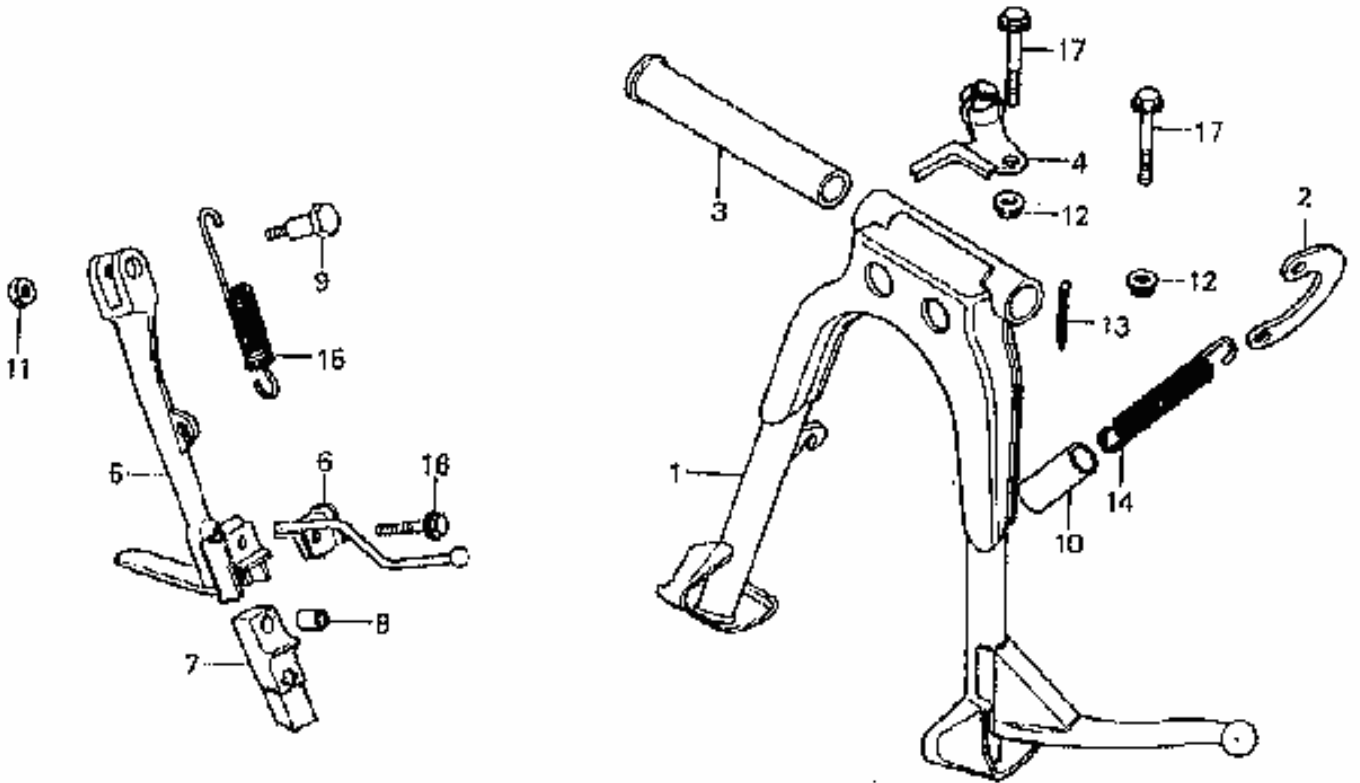
<b>Model Year:</b>	1980
<b>Manufacturer:</b>	Honda
<b>Model:</b>	CB750K
<b>Schematic:</b>	SEAT
<b>Description:</b>	1980 Honda CB750K SEAT



<b>Model Year:</b>	1980
<b>Manufacturer:</b>	Honda
<b>Model:</b>	CB750K
<b>Schematic:</b>	SIDE COVER - SPARK UNIT - REGULATOR
<b>Description:</b>	1980 Honda CB750K SIDE COVER SPARK UNIT REGULATOR

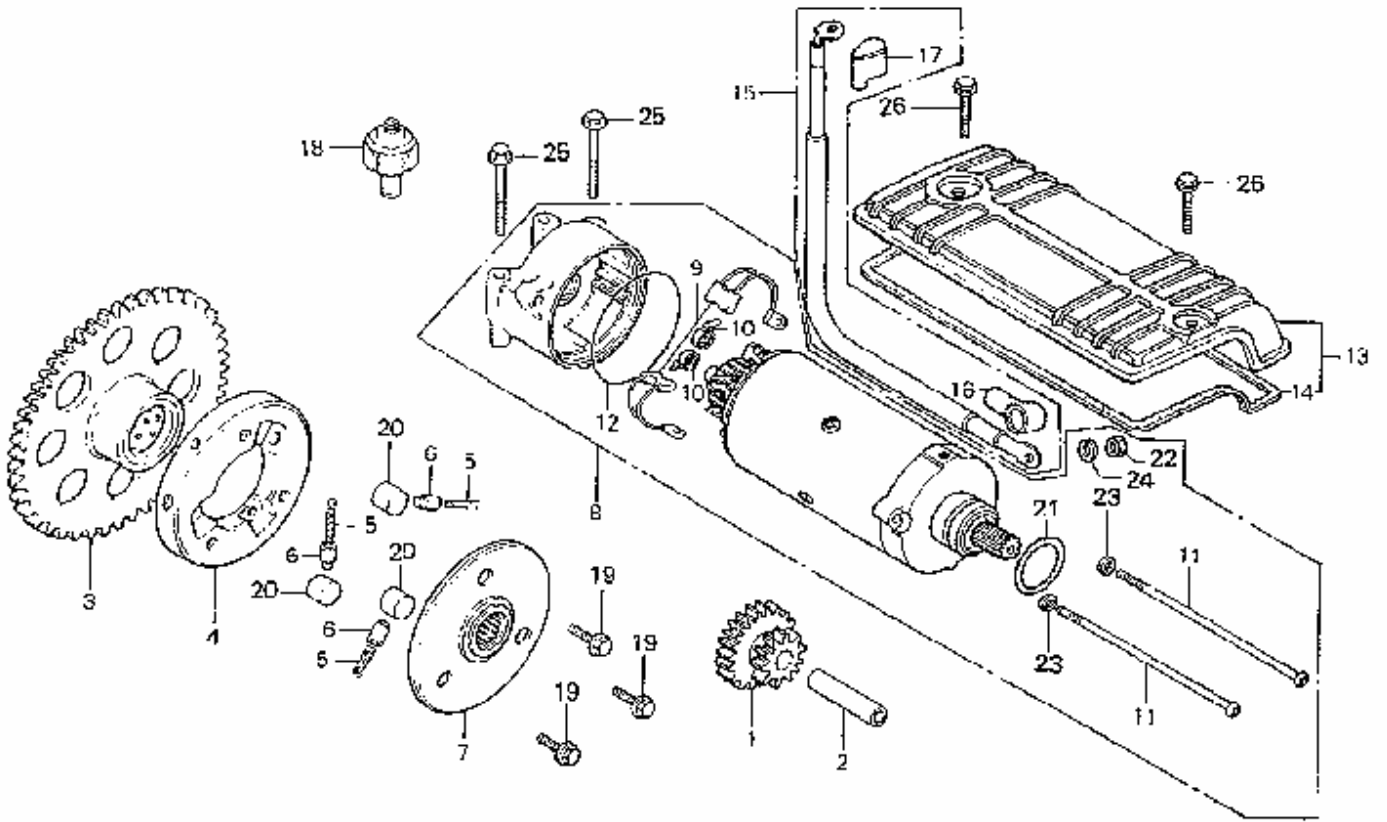


<b>Model Year:</b>	1980
<b>Manufacturer:</b>	Honda
<b>Model:</b>	CB750K
<b>Schematic:</b>	STAND
<b>Description:</b>	1980 Honda CB750K STAND

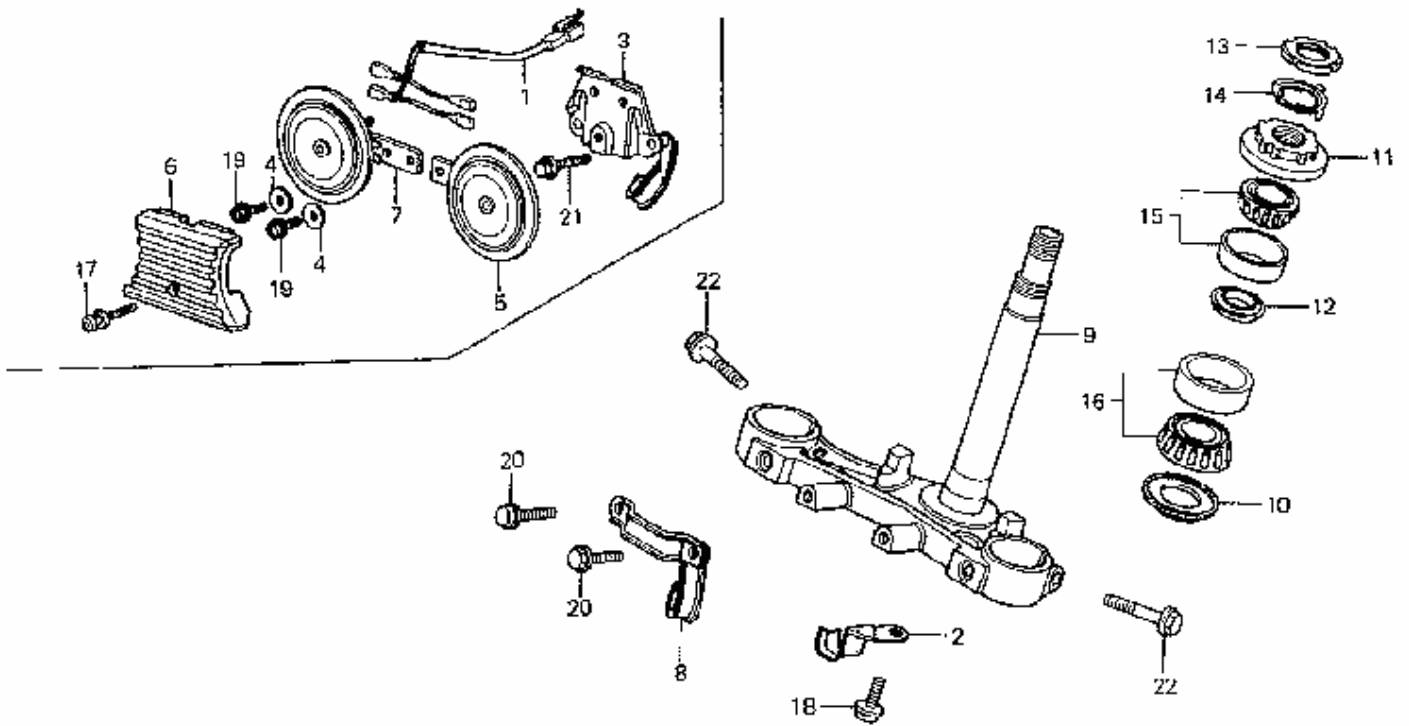




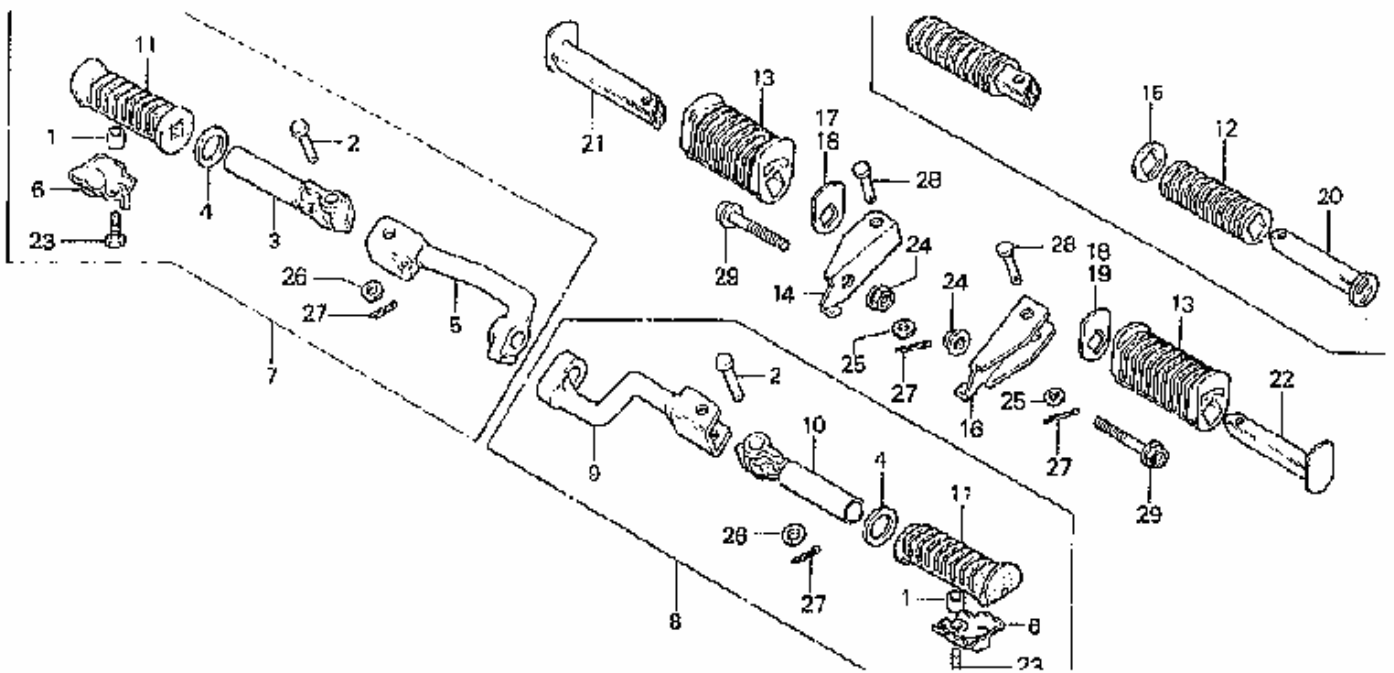
<b>Model Year:</b>	1980
<b>Manufacturer:</b>	Honda
<b>Model:</b>	CB750K
<b>Schematic:</b>	STARTING MOTOR
<b>Description:</b>	1980 Honda CB750K STARTING MOTOR



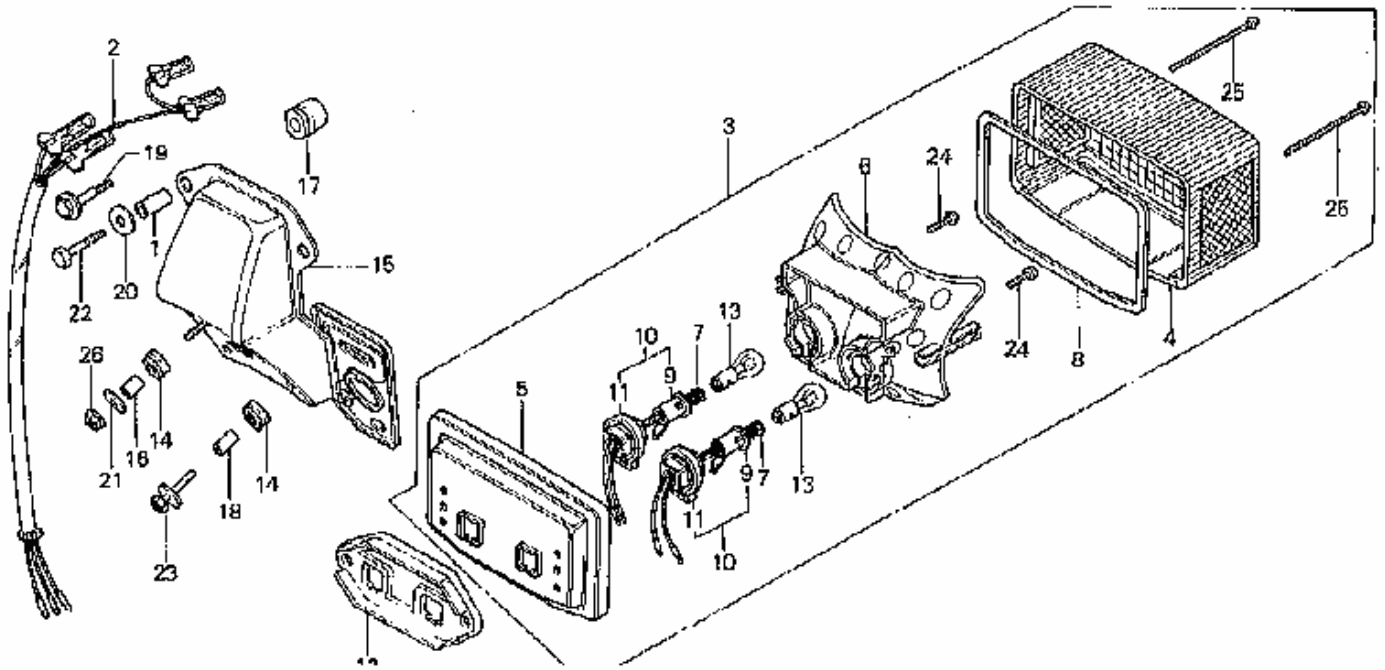
<b>Model Year:</b>	1980
<b>Manufacturer:</b>	Honda
<b>Model:</b>	CB750K
<b>Schematic:</b>	STEERING STEM
<b>Description:</b>	1980 Honda CB750K STEERING STEM



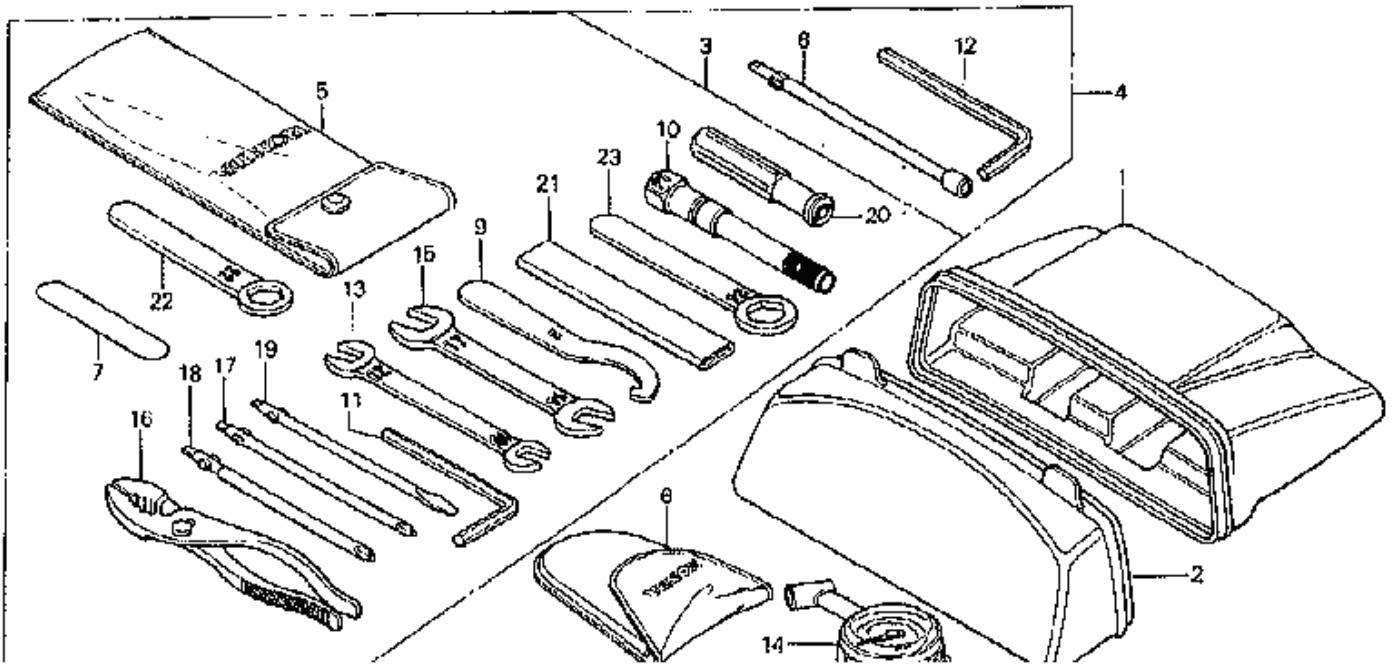
<b>Model Year:</b>	1980
<b>Manufacturer:</b>	Honda
<b>Model:</b>	CB750K
<b>Schematic:</b>	STEP
<b>Description:</b>	1980 Honda CB750K STEP



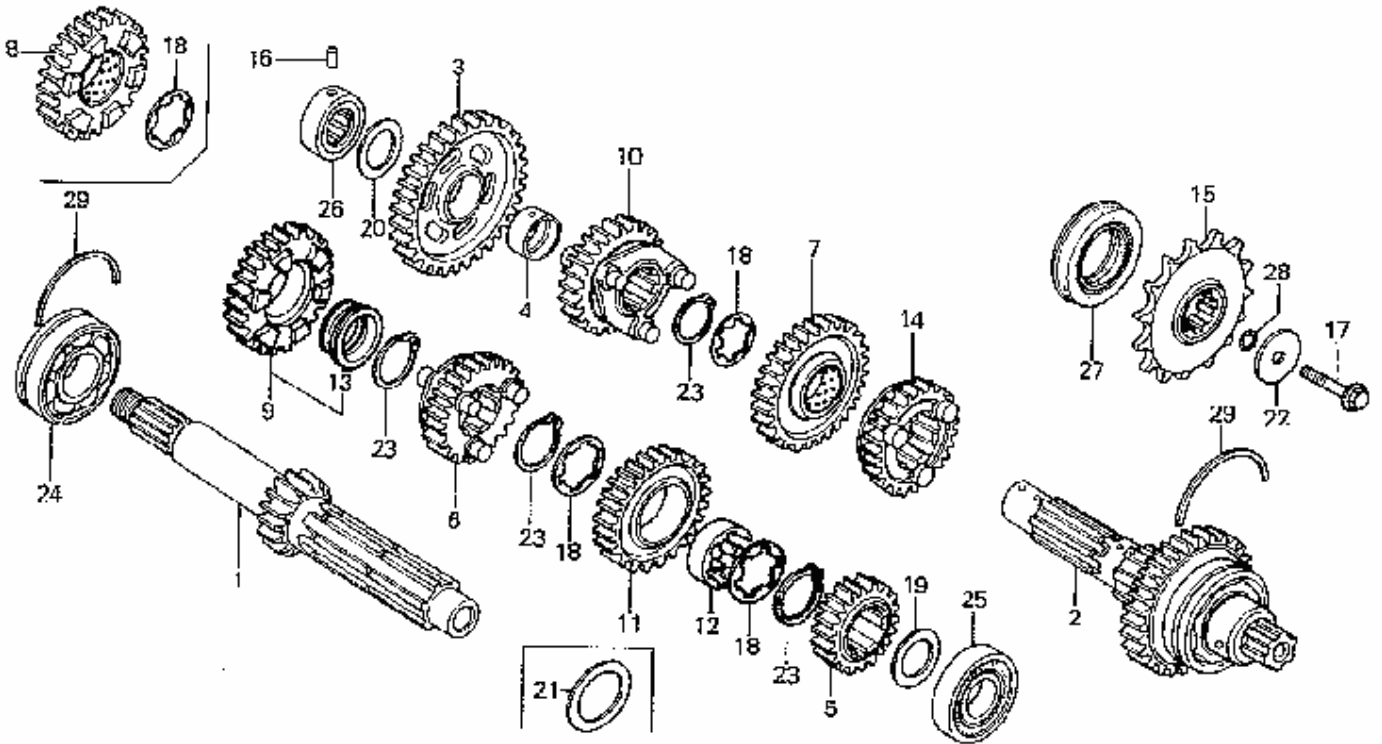
<b>Model Year:</b>	1980
<b>Manufacturer:</b>	Honda
<b>Model:</b>	CB750K
<b>Schematic:</b>	TAILLIGHT
<b>Description:</b>	1980 Honda CB750K TAILLIGHT



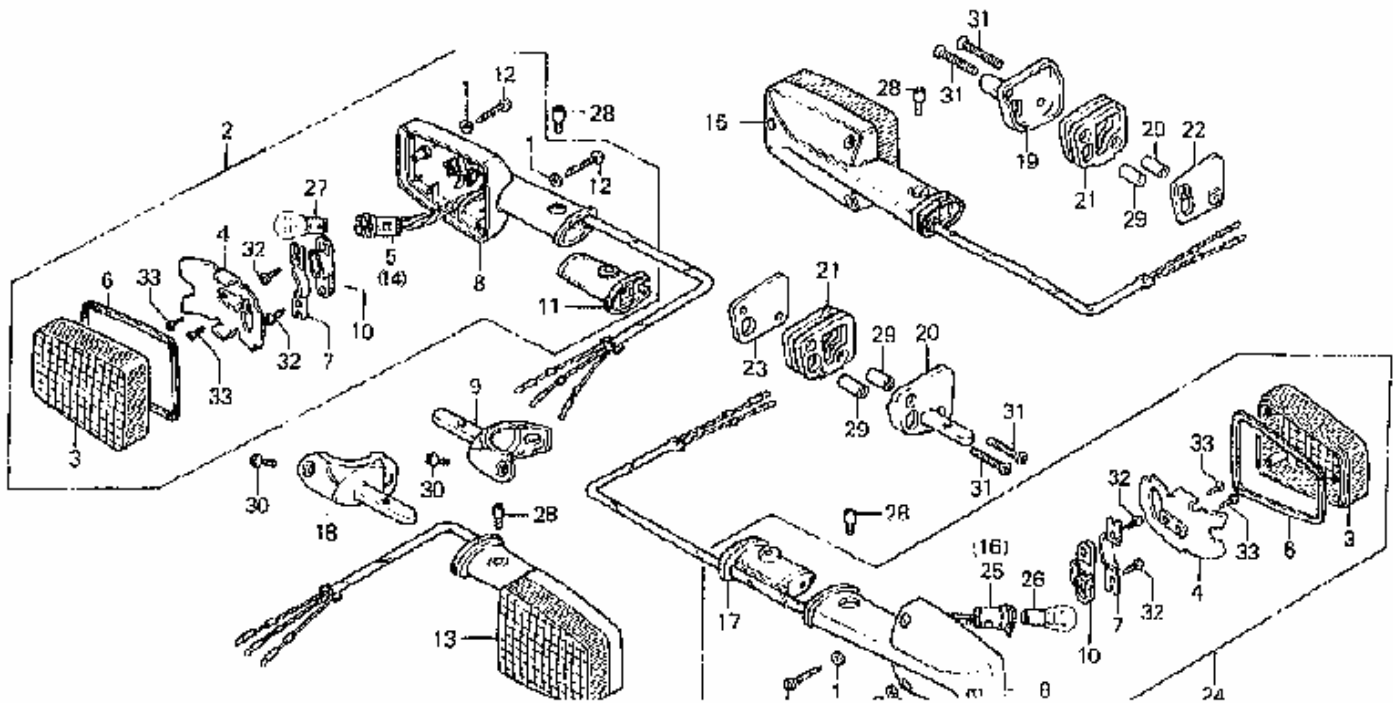
<b>Model Year:</b>	1980
<b>Manufacturer:</b>	Honda
<b>Model:</b>	CB750K
<b>Schematic:</b>	TOOLS
<b>Description:</b>	1980 Honda CB750K TOOLS



<b>Model Year:</b>	1980
<b>Manufacturer:</b>	Honda
<b>Model:</b>	CB750K
<b>Schematic:</b>	TRANSMISSION
<b>Description:</b>	1980 Honda CB750K TRANSMISSION



<b>Model Year:</b>	1980
<b>Manufacturer:</b>	Honda
<b>Model:</b>	CB750K
<b>Schematic:</b>	WINKER
<b>Description:</b>	1980 Honda CB750K WINKER



<b>Model Year:</b>	1980
<b>Manufacturer:</b>	Honda
<b>Model:</b>	CB750K
<b>Schematic:</b>	WIREHARNES - IGNITION COIL
<b>Description:</b>	1980 Honda CB750K WIRE HARNESS IGNITION COIL

